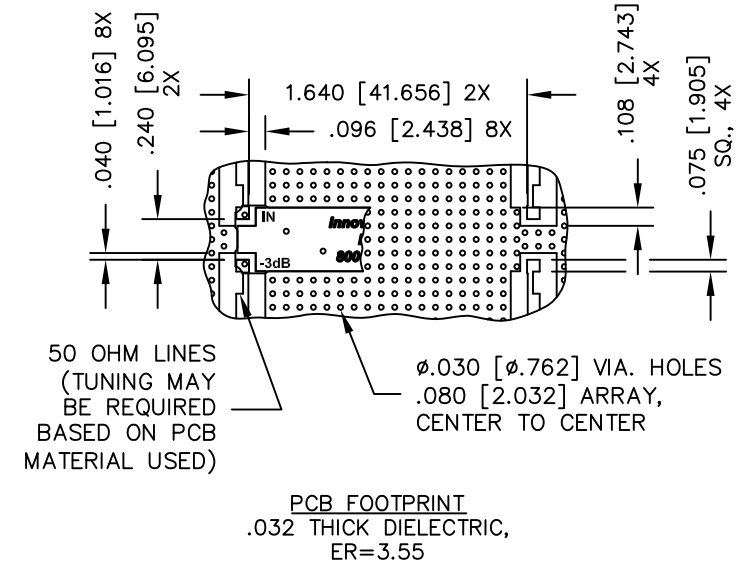
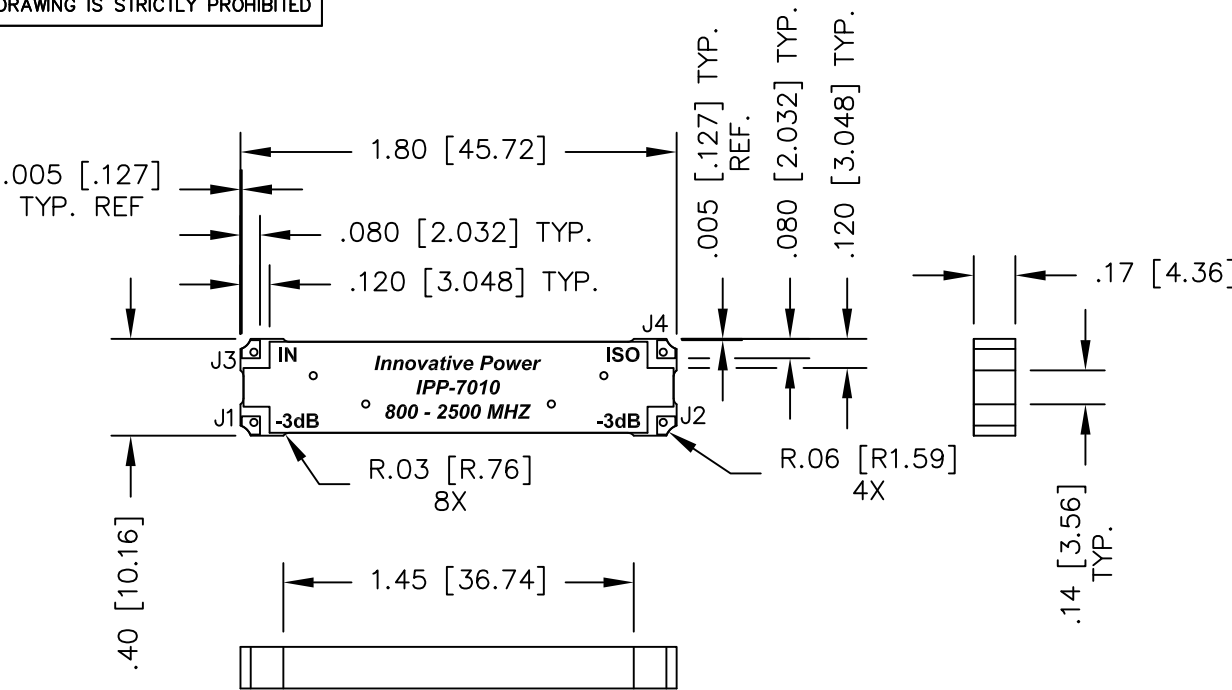


UNAUTHORIZED USE OF THIS
DRAWING IS STRICTLY PROHIBITED

DAR	REV	DESCRIPTION	APPVD	DATE
1707	A	INITIAL RELEASE	DG	1-09
1765	B	SEE DAR	DG	3-09
1972	C	SEE DAR	DG	7-09
2174	D	SEE DAR	DG	12-09



- NOTES:
1. SEE SMD COUPLER APPLICATION NOTE FOR FURTHER INFORMATION.
 2. PARTS WITH RoHS MATT TIN AND RoHS NICKEL GOLD FINISHES ARE RoHS COMPLIANT.
 3. AVAILABLE IN TAPE AND REEL. SEE SMD COUPLER APPLICATION NOTE FOR FURTHER INFORMATION.

ELECTRICAL SPECIFICATIONS

FREQUENCY: 800 - 2500 MHz.
 INSERTION LOSS: <0.50 dB
 VSWR: <1.30:1
 ISOLATION: >18dB
 AMPLITUDE BALANCE: ±0.60dB
 PHASE BALANCE: ±5°
 POWER: 200 WATT
 TEMPERATURE: -55°C TO 85°C

FINISH	
P/N	TYPE
IPP-7010	TIN/LEAD
IPP-7010RT	RoHS MATTE TIN
IPP-7010RG	RoHS NICKEL GOLD

PORT CONFIGURATION				
INPUT	J1	J2	J3	J4
J1	---	ISOLATION	-3dB<0 DEG	-3dB<-90 DEG
J2	ISOLATION	---	-3dB<-90 DEG	-3dB<0 DEG
J3	-3dB<0 DEG	-3dB<-90 DEG	---	ISOLATION
J4	-3dB<-90 DEG	-3dB<0 DEG	ISOLATION	---

MATERIAL	DWN DG	DATE 1-09			
FINISH	ENG TJD	DATE 1-09			
SEE FINISH CHART	MANUF TP	DATE 1-09	TITLE OUTLINE		
TOLERANCE	CAGE CODE: 437R2		SMD COUPLER, 90°, 800 - 2500 MHz. 200W		
IN [MM]	SHEET OF 1 1	SCALE 2:1	SIZE B	P/N IPP-7010*	REV. D
.XX ±.02 [.50] .XXX ±.010 [.254] ANG. ±1/2°					