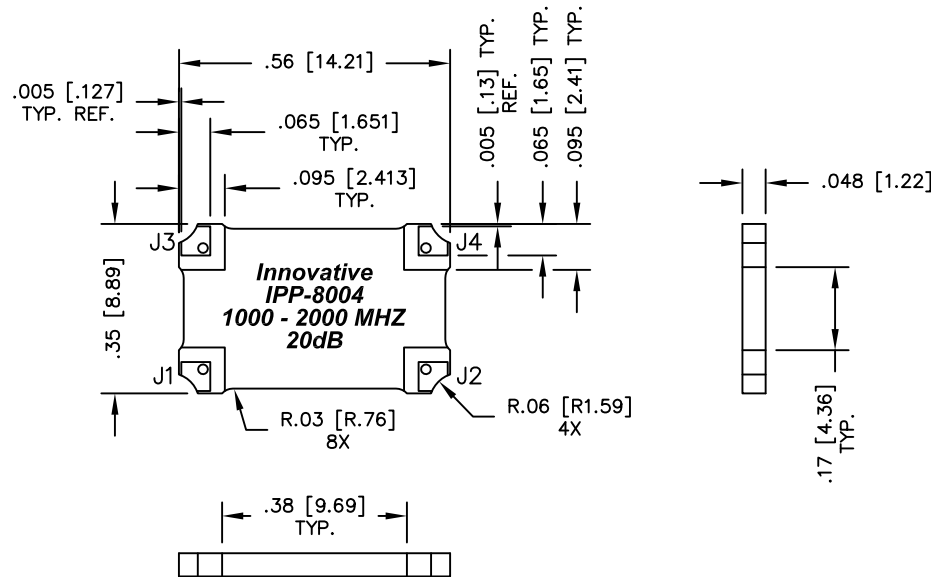


UNAUTHORIZED USE OF THIS
DRAWING IS STRICTLY PROHIBITED

DAR	REV	DESCRIPTION	APPVD	DATE
2723	A	INITIAL RELEASE	TJD	10-10



FINISH	
P/N	TYPE
IPP-8004	TIN/LEAD
IPP-8004RT	RoHS MATTE TIN
IPP-8004RG	RoHS NICKEL GOLD

NOTES:

1. SEE SMD COUPLER APPLICATION NOTE FOR FURTHER INFORMATION.
2. PARTS WITH RoHS MATT TIN AND RoHS NICKEL GOLD FINISHES ARE RoHS COMPLIANT.
3. AVAILABLE IN TAPE AND REEL. SEE SMD COUPLER APPLICATION NOTE FOR FURTHER INFORMATION.

ELECTRICAL SPECIFICATIONS

FREQUENCY: 1000 – 2000 MHz.
 INSERTION LOSS: <0.20 dB
 VSWR: <1.28:1
 COUPLING: 20dB ±1.00 dB
 DIRECTIVITY: >20 dB
 COUPLED FLATNESS: ±1.2 dB
 POWER: 200 WATT
 TEMPERATURE: –55°C TO 85°C

PORT CONFIGURATION			
INPUT	OUTPUT	FORWARD COUPLED	REFLECTED COUPLED
J1	J2	J3	J4 ADD 50Ω TERMINATION
J1	J2	J3 ADD 50Ω TERMINATION	J4
J2	J1	J4	J3 ADD 50Ω TERMINATION
J2	J1	J4 ADD 50Ω TERMINATION	J3

MATERIAL	DWN S.Cornell	DATE 5-29-09	Innovative <i>Power</i> Products			
FINISH	ENG TJD	DATE 5-29-09				
SEE FINISH CHART	MANUF RR	DATE 5-29-09	TITLE OUTLINE, SMD COUPLER			
TOLERANCE	CAGE CODE: 437R2		BI-DIRECTIONAL, 1000 - 2000 MHz. 200W			
IN [MM]	.XX ±.02 [.50]	SHEET OF 1 1	SCALE 4:1	SIZE B	P/N IPP-8004*	REV. A
	.XXX ±.010 [.254]					
	ANG. ±1/2°					