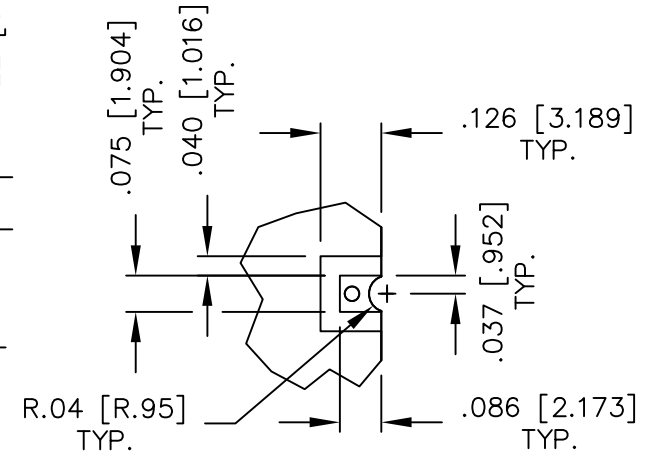
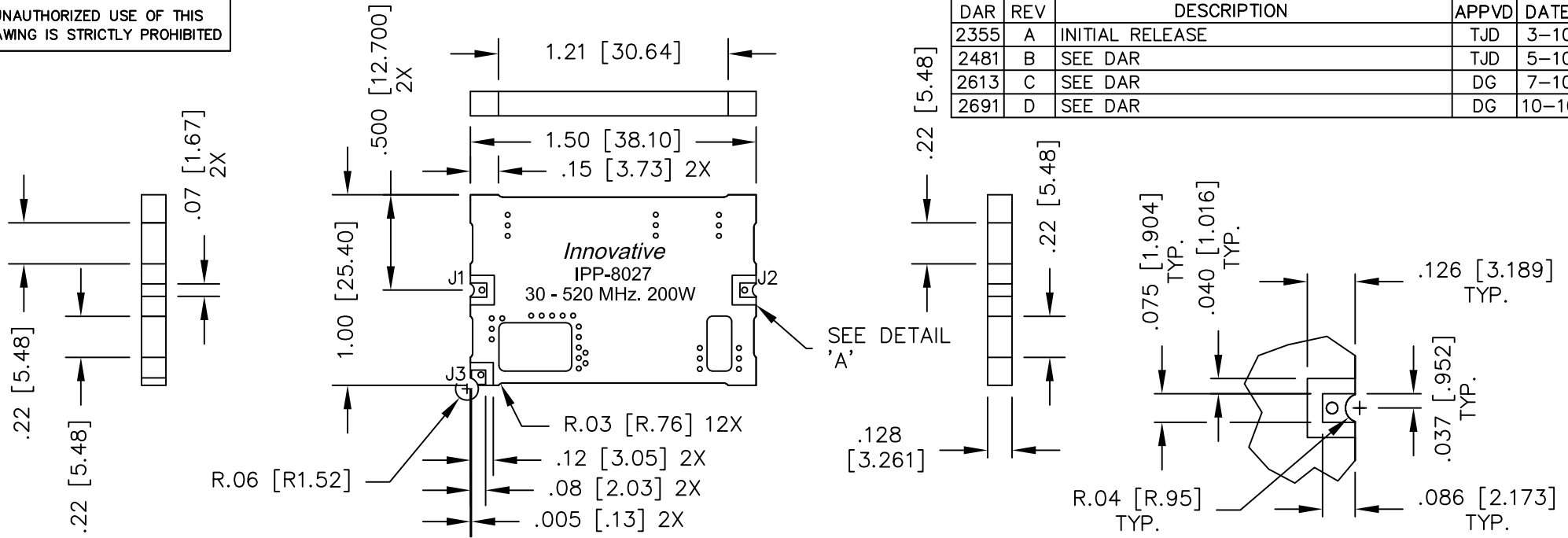


UNAUTHORIZED USE OF THIS  
DRAWING IS STRICTLY PROHIBITED

DAR	REV	DESCRIPTION	APPV'D	DATE
2355	A	INITIAL RELEASE	TJD	3-10
2481	B	SEE DAR	TJD	5-10
2613	C	SEE DAR	DG	7-10
2691	D	SEE DAR	DG	10-10



DETAIL A  
SCALE: 2/1

- NOTES:
- SEE SMD COUPLER APPLICATION NOTE FOR FURTHER INFORMATION.
  - AVAILABLE IN TAPE AND REEL. SEE SMD COUPLER APPLICATION NOTE FOR FURTHER INFORMATION.

**ELECTRICAL SPECIFICATIONS**

FREQUENCY:	30 - 520 MHz.
INSERTION LOSS:	<0.25 dB
VSWR:	<1.25: 1
DIRECTIVITY:	>20dB
COUPLING:	50.0±1dB
COUPLED FLATNESS:	±0.5dB
POWER:	200 WATT
TEMPERATURE:	-55°C TO 85°C

FINISH	
P/N	TYPE
IPP-8027	TIN/LEAD

PORT CONFIGURATION			
INPUT	OUTPUT	FORWARD COUPLED	REFLECTED COUPLED
J1	J2	J3	NA
J2	J1	NA	J3

MATERIAL	DWN S.Cornell	DATE	3-4-10	<b>Innovative Power Products</b>	
FINISH	ENG DG	DATE	3-10		
SEE FINISH CHART	MANUF	DATE		TITLE	
TOLERANCE	CAGE CODE: 437R2			OUTLINE	
IN [MM]	.XX ±.02 [.50]	SHEET OF	SCALE	SMD COUPLER, SDC, 30 - 520 MHz. 200W	
	.XXX ±.010 [.254]	1 1	2:1	SIZE	P/N
	ANG. ±1/2°			B	IPP-8027*
					REV.
					D