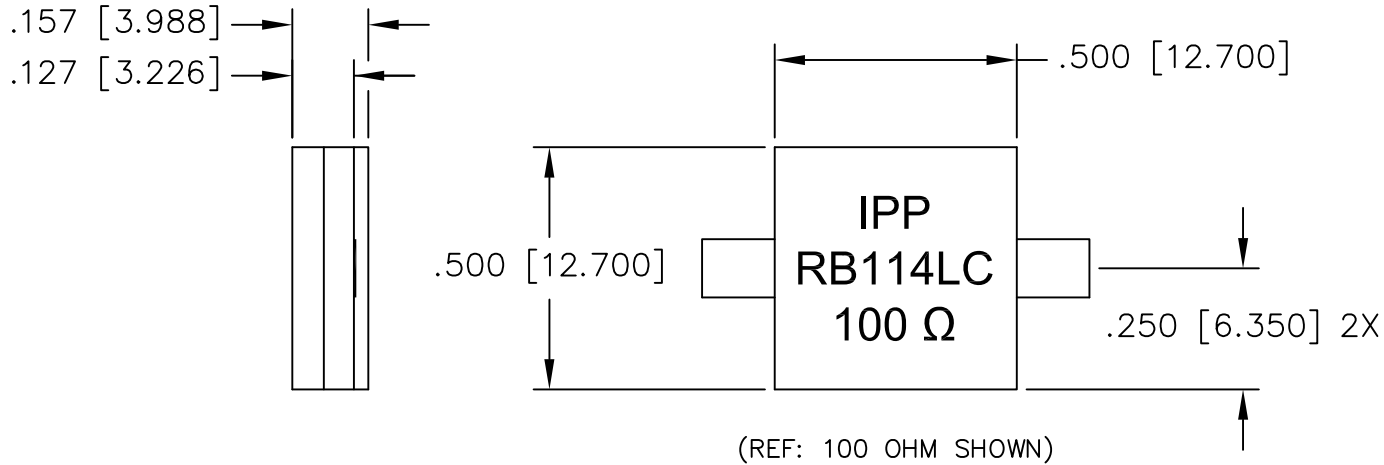


UNAUTHORIZED USE OF THIS
DRAWING IS STRICTLY PROHIBITED

DAR	REV	DESCRIPTION	APPVD	DATE
3401	A	INITIAL RELEASE	TJD	11-11

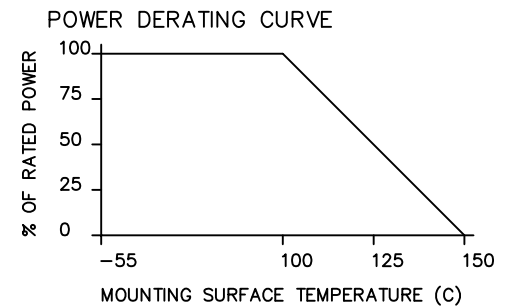


NOTES:

1. LEAD MATERIAL: 99.99% PURE SILVER, .120 [3.048] WIDE x .005 [.127] THICK x .150 [3.810] MIN. LONG.
2. SUBSTRATE MATERIAL: BeO
COVER MATERIAL: Al₂O₃
3. BOTTOM SIDE METALIZATION: THICK FILM PLATINUM SILVER.
4. LEAD(S) WELDED TO SUBSTRATE.
5. DO NOT EXCEED 250°C WHEN INSTALLING RESISTOR.

ELECTRICAL SPECIFICATIONS

INPUT POWER: 300 WATT
 FREQUENCY: DC - 2.0 GHZ.
 CAPACITANCE: 3.0 pF



PART NO.	VALUE	TOLERANCE
IPP-RB114LC-50	50 OHMS	+/- 5%
IPP-RB114LC-100	100 OHMS	+/- 5%

MATERIAL	DWN DG	DATE 11-11	Innovative Power Products
[2]	ENG TJD	DATE 11-11	
FINISH	MANUF	DATE	TITLE
[3]	CAGE CODE: 437R2		RESISTOR, LOW C, 300 WATT, FLANGELESS
TOLERANCE	SHEET OF	SCALE	P/N
.XX ±.02 [.50] IN [MM] .XXX ±.010 [.254]	1 1	4:1	IPP-RB114LC-XXX
			REV. A