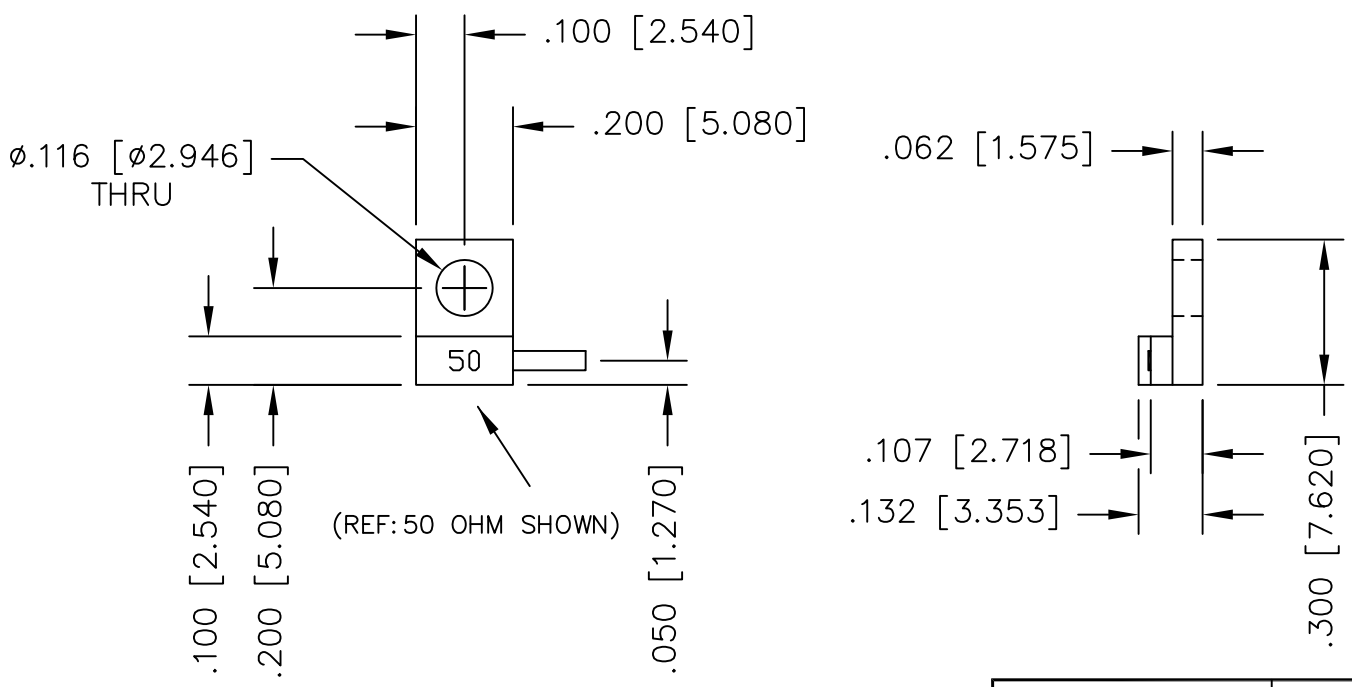


UNAUTHORIZED USE OF THIS
DRAWING IS STRICTLY PROHIBITED

DAR	REV	DESCRIPTION	APPVD	DATE
1053	A	INITIAL RELEASE	TJD	1-06
1106	B	ADD COVER MATERIAL	TJD	5-06
1317	C	CHANGE TEMPERATURE TO 150 DEGREES	TP	7-07
1497	D	CHANGE FLANGE, LD HEIGHT & HEIGHT DIMS	DG	8-08
3545	E	SEE DAR	DG	3-12

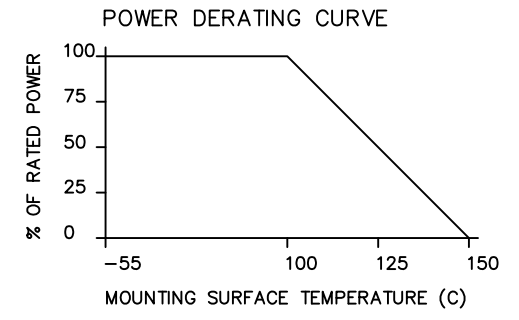
ELECTRICAL SPECIFICATIONS

PART NO.	VALUE	INPUT POWER	FRERQUENCY	VSWR
IPP-TB201R-50	50 OHMS ±5%	30 WATT	DC-6.0 GHz	<1.13:1 DC-3.0 GHz <1.20:1 DC-4.0 GHz <1.50:1 DC-6.0 GHz
IPP-TB201R-100	100 OHMS ±5%	30 WATT	DC-4.0 GHz	2±0.2:1



NOTES

- LEAD MATERIAL:
99.99% PURE SILVER,
.040 WIDE x .005 THICK
- LEAD LENGTH: .150 MIN.
- SUBSTRATE MATERIAL: BeO
COVER MATERIAL: Al₂O₃
- FLANGE MATERIAL: COPPER
PLATING: NICKEL
- DIMENSIONS: INCHES, [mm]



MATERIAL	[3] [4]	DWN	DG	DATE	1/06					
FINISH	[4]	ENG	TJD	DATE	1/06					
TOLERANCE	.XX ±.02 [.51] IN [MM] .XXX ±.010 [.254]	MANUF	TP	DATE	1/06					
		CAGE CODE: 437R2		TITLE		TERMINATION, 30 WATT, HALF FLANGE				
		SHEET	OF	SCALE	4:1	SIZE	P/N	IPP-TB201R-XXX	REV.	E
		1	1			B				