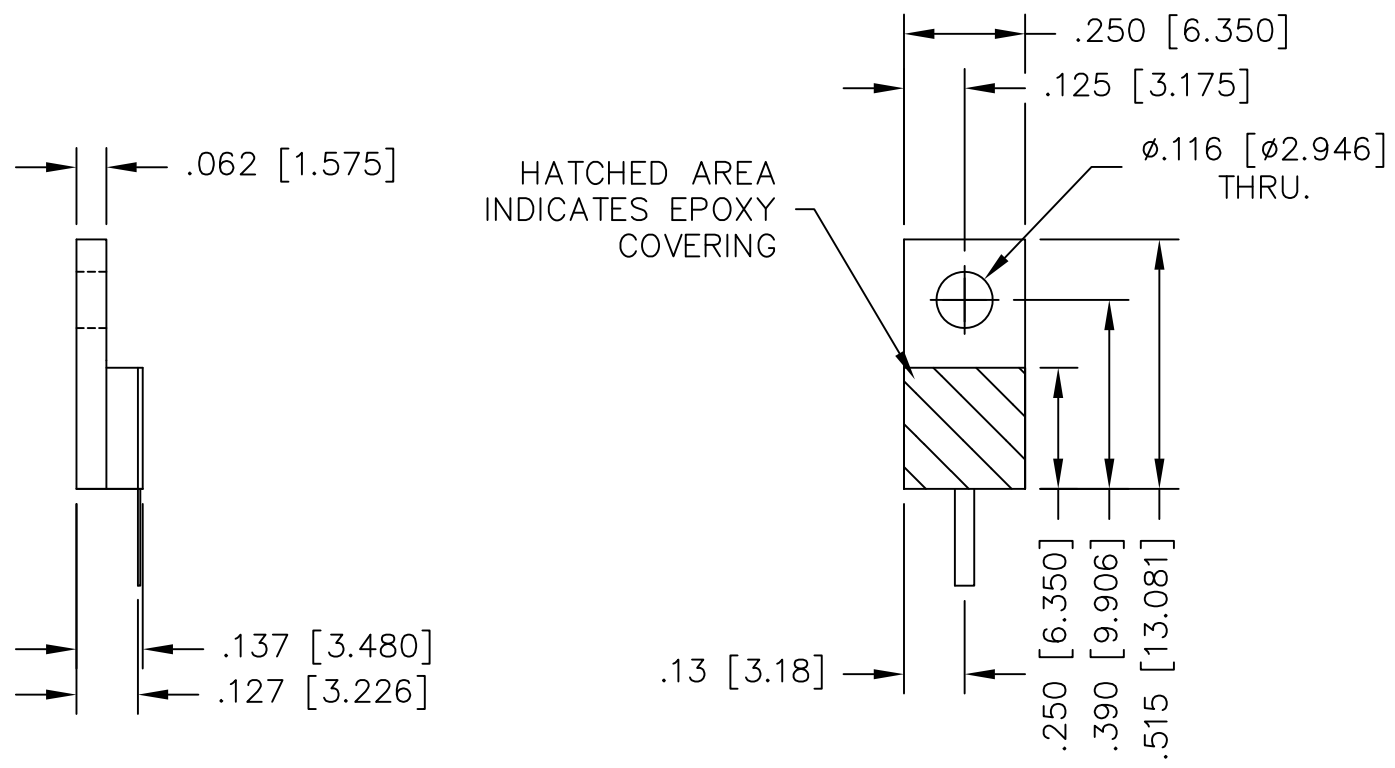


UNAUTHORIZED USE OF THIS
DRAWING IS STRICTLY PROHIBITED

DAR	REV	DESCRIPTION	APPVD	DATE
1306	A	INITIAL RELEASE	TP	6-07
1317	B	CHANGE COVER MATERIAL	TP	7-07
1497	C	CHANGE LD HEIGHT	DG	8-08
2190	D	SEE DAR	DG	12-09
2395	E	SEE DAR	DG	3-10
2561	F	SEE DAR	TJD	6-10



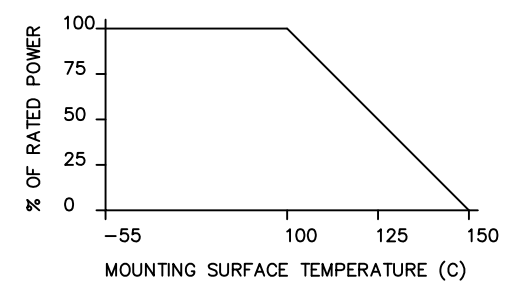
NOTES:

- LEAD MATERIAL: 99.99% PURE SILVER, .040 [1.016] WIDE x .005 [.127] THICK x .150 [3.810] MIN. LONG.
- SUBSTRATE MATERIAL: BeO COVER MATERIAL: EPOXY
- FLANGE MATERIAL: COPPER PLATING: NICKEL
- LEAD(S) WELDED TO SUBSTRATE.

ELECTRICAL SPECIFICATIONS

INPUT POWER: 50 WATT
 FREQ: DC - 6.0 GHZ.
 VSWR: 1.10:1 DC - 4.2 GHZ.
 1.25:1 DC - 6 GHZ.

POWER DERATING CURVE



PART NO.	VALUE	TOLERANCE
IPP-TB218C-50	50 OHMS	+/- 5%
IPP-TB218C-100	100 OHMS	+/- 5%

MATERIAL	[2] [3]	DWN DG	DATE 6-07	Innovative Power Products
FINISH	[3]	ENG TJD	DATE 6-07	
TOLERANCE	.XX ±.02 [.50] IN [MM] .XXX ±.010 [.254]	MANUF TP	DATE 6-07	TITLE
		CAGE CODE: 437R2		TERMINATION, 50 WATT, FLANGE
		SHEET OF 1 1	SCALE 4:1	P/N
				IPP-TB218C-XXX
				REV. F