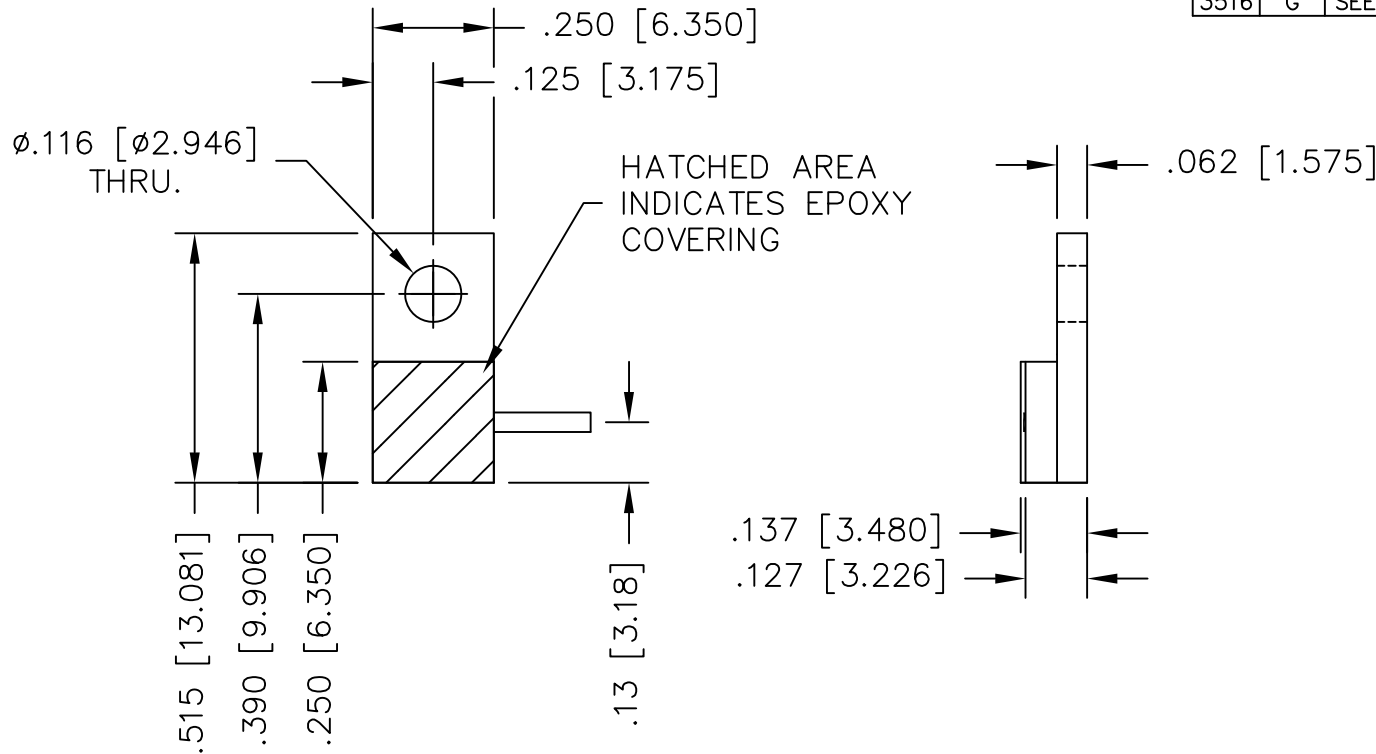


UNAUTHORIZED USE OF THIS
DRAWING IS STRICTLY PROHIBITED

DAR	REV	DESCRIPTION	APPVD	DATE
1306	A	INITIAL RELEASE	TP	6-07
1317	B	CHANGE COVER MATERIAL	TP	7-07
1497	C	CHANGE LD HEIGHT	DG	8-08
2190	D	SEE DAR	DG	12-09
2395	E	SEE DAR	DG	3-10
2561	F	SEE DAR	TJD	6-10
3516	G	SEE DAR	DG	2-12



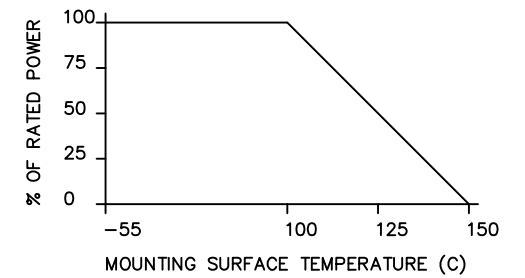
NOTES:

- LEAD MATERIAL: 99.99% PURE SILVER, $.040$ [1.016] WIDE x $.005$ [0.127] THICK x $.150$ [3.810] MIN. LONG.
- SUBSTRATE MATERIAL: BeO
COVER MATERIAL: EPOXY
- FLANGE MATERIAL: COPPER
PLATING: NICKEL
- LEAD(S) WELDED TO SUBSTRATE.

ELECTRICAL SPECIFICATIONS

INPUT POWER: 50 WATT
 FREQ: DC - 6.0 GHZ.
 VSWR: 1.10:1 DC - 4.2 GHz.
 1.25:1 DC - 6 GHz.

POWER DERATING CURVE



PART NO.	VALUE	TOLERANCE
IPP-TB218R-50	50 OHMS	+/- 5%

MATERIAL	[2] [3]	DWN DG	DATE 6-07	Innovative Power Products
FINISH	[3]	ENG TJD	DATE 6-07	
TOLERANCE		MANUF TP	DATE 6-07	
		CAGE CODE: 437R2		TITLE
		SHEET OF	SCALE	TERMINATION, 50 WATT, FLANGE
		1 1	4:1	P/N
				IPP-TB218R-XXX
				REV.
				G