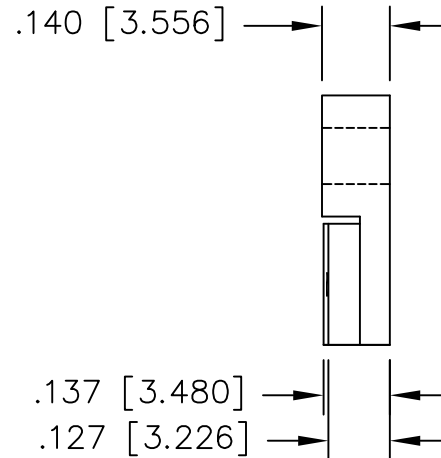
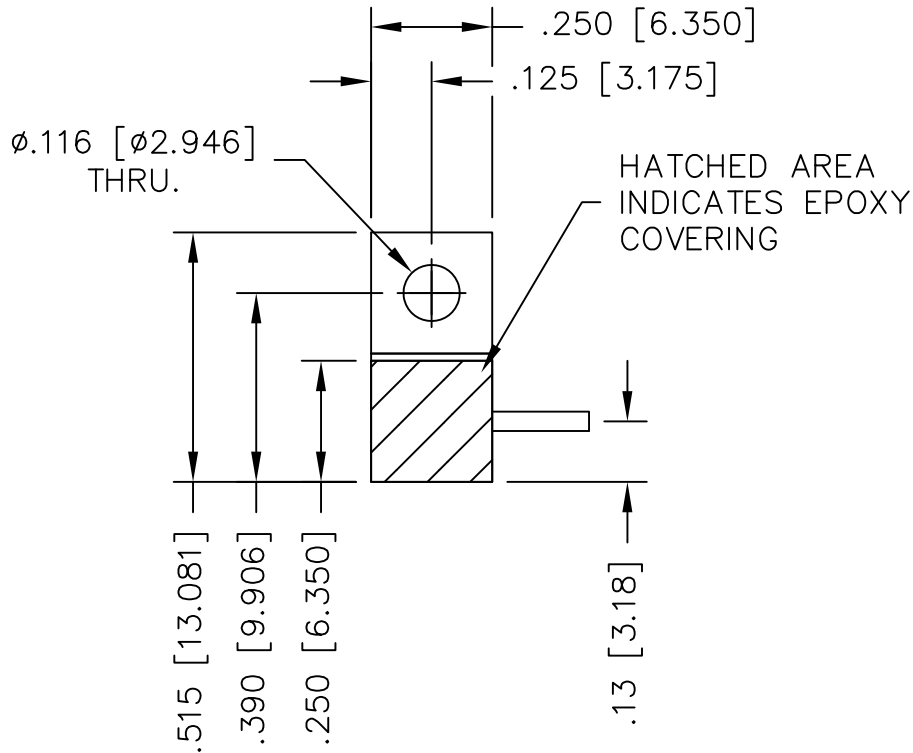


UNAUTHORIZED USE OF THIS  
DRAWING IS STRICTLY PROHIBITED

| DAR  | REV | DESCRIPTION          | APPVD | DATE  |
|------|-----|----------------------|-------|-------|
| 1306 | A   | INITIAL RELEASE      | TP    | 6-07  |
| 1497 | B   | CHANGE LD HEIGHT DIM | DG    | 12-09 |
| 2190 | C   | SEE DAR              | DG    | 12-09 |
| 2395 | D   | SEE DAR              | DG    | 3-10  |
| 2561 | E   | SEE DAR              | TJD   | 6-10  |
| 3516 | F   | SEE DAR              | DG    | 2-12  |



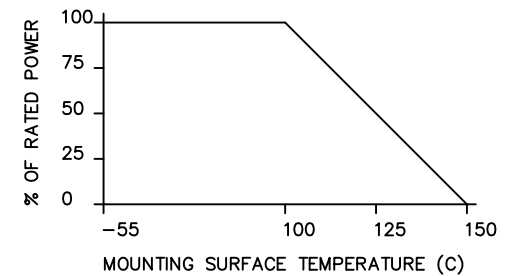
NOTES:

- LEAD MATERIAL: 99.99% PURE SILVER,  $.040 [1.016]$  WIDE x  $.005 [.127]$  THICK x  $.150 [3.810]$  MIN. LONG.
- SUBSTRATE MATERIAL: BeO  
COVER MATERIAL: EPOXY
- FLANGE MATERIAL: COPPER  
PLATING: NICKEL
- LEAD(S) WELDED TO SUBSTRATE.

ELECTRICAL SPECIFICATIONS

INPUT POWER: 100 WATT  
 FREQ: DC - 6.0 GHZ.  
 VSWR: 1.10:1 DC - 4.2 GHz.  
 1.25:1 DC - 6 GHz.

POWER DERATING CURVE



| PART NO.      | VALUE   | TOLERANCE |
|---------------|---------|-----------|
| IPP-TB220R-50 | 50 OHMS | +/- 5%    |

|                      |                                     |                 |  |           |
|----------------------|-------------------------------------|-----------------|--|-----------|
| MATERIAL<br>[2] [3]  | DWN DG                              | DATE 6-07       |  |           |
|                      | ENG TJD                             | DATE 6-07       |  |           |
| FINISH<br>[3]        | MANUF TP                            | DATE 6-07       | TITLE<br>TERMINATION, 100 WATT, FLANGE |           |
|                      | CAGE CODE: 437R2                    |                 | P/N<br>IPP-TB220R-XXX                  |           |
| TOLERANCE<br>IN [MM] | .XX ±.02 [.50]<br>.XXX ±.010 [.254] | SHEET OF<br>1 1 | SCALE<br>4:1                           | REV.<br>F |