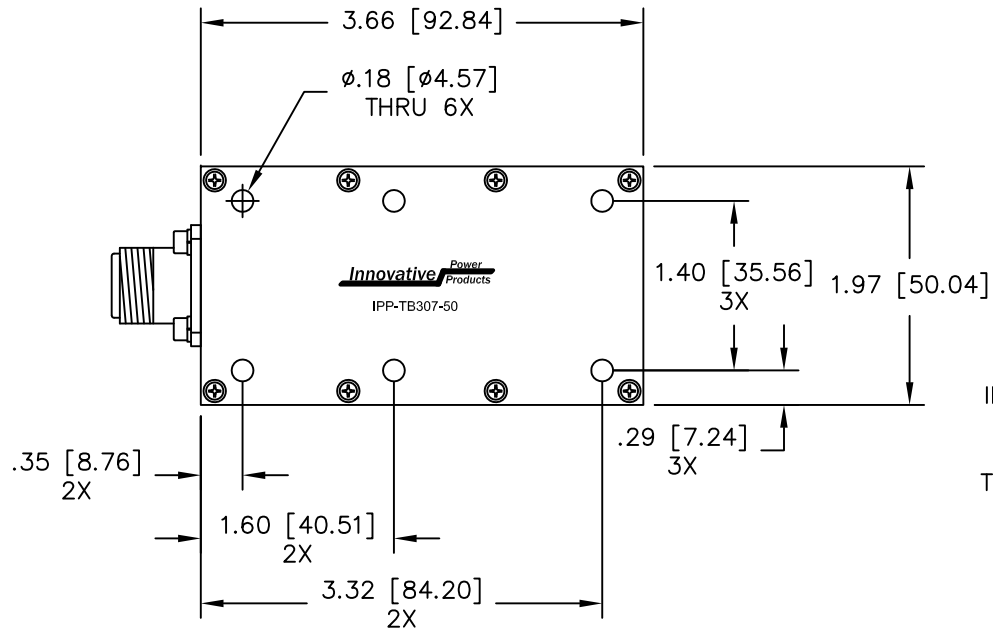
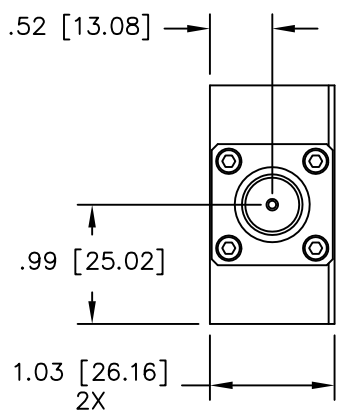


UNAUTHORIZED USE OF THIS
DRAWING IS STRICTLY PROHIBITED

DAR	REV	DESCRIPTION	APPVD	DATE
2886	A	INITIAL RELEASE	DG	1-11
2928	B	SEE DAR	DG	2-11



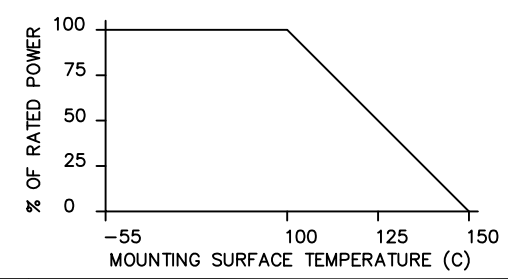
NOTES

1. CONNECTOR TYPE "N" FEMALE

ELECTRICAL SPECIFICATIONS

INPUT POWER: 800 WATT
 FREQ: DC - 500MHZ.
 VSWR: <1.50:1
 TEMPERATURE: -55°C TO 80°C

POWER DERATING CURVE



PART NO.	VALUE	TOLERANCE
IPP-TB307-50	50 OHMS	+/- 5%

MATERIAL AL. ALLOY 6061-T651	DWN S.Cornell	DATE 3-24-10				
	ENG DG	DATE 5-10				
FINISH CHEM FILM CLEAR PER MIL-DTL-5541, TYPE 2, REV F, CLASS 3, ROHS COMPLIANT	MANUF	DATE	TITLE TERMINATION, 800 WATT, CONNECTORIZED			
	CAGE CODE: 437R2					
TOLERANCE .XX ±.02 .XXX ±.010 ANG. ±1/2°	SHEET 1	OF 1	SCALE 1:1	SIZE B	P/N IPP-TB307-XXX	REV. B