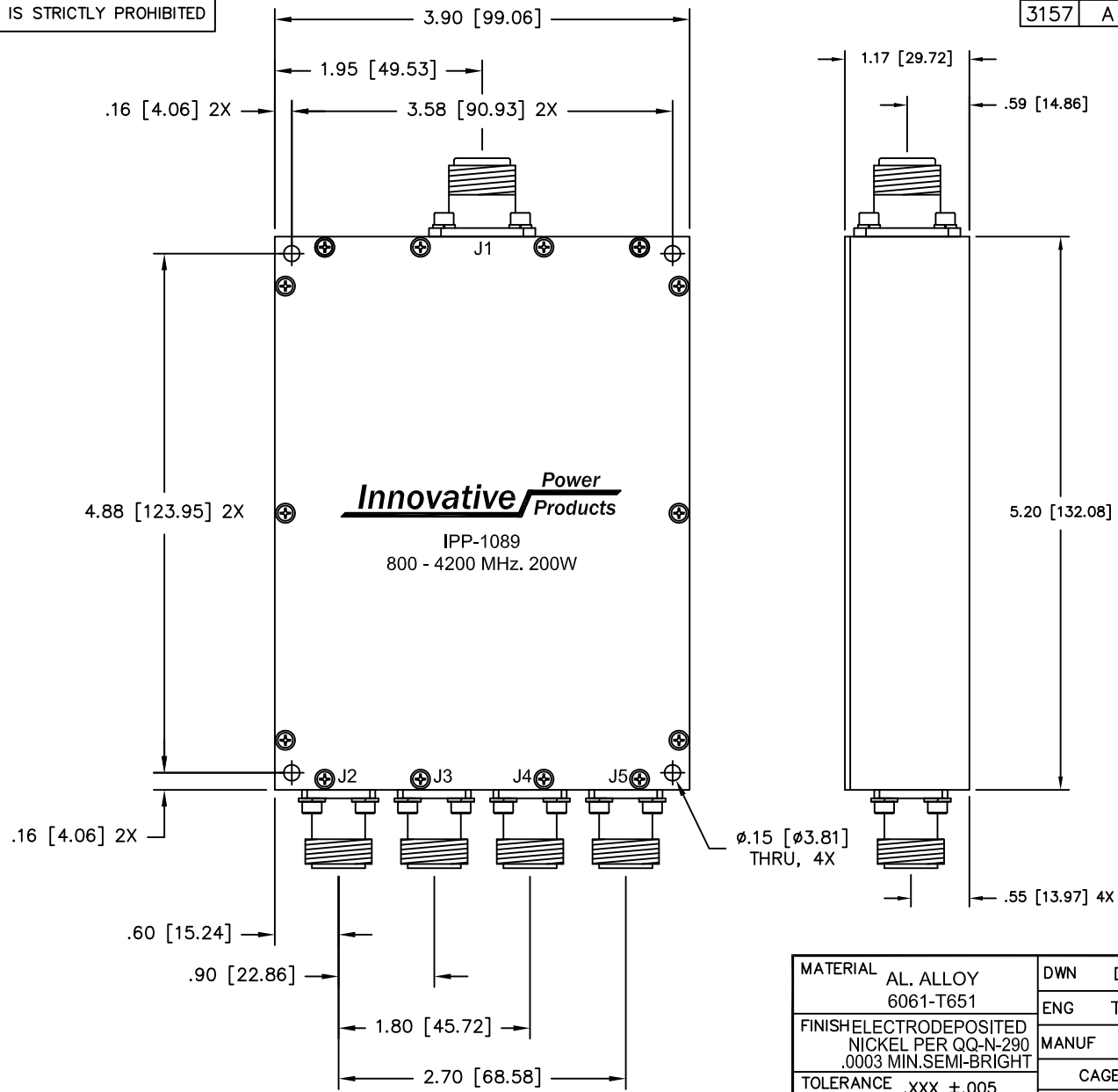


UNAUTHORIZED USE OF THIS  
DRAWING IS STRICTLY PROHIBITED

DAR	REV	DESCRIPTION	APPVD	DATE
3157	A	INITIAL RELEASE	DG	7-11



**NOTES:**

1. CONNECTOR TYPE J1-J5: TYPE 'N' FEMALE

ELECTRICAL SPECIFICATIONS

FREQUENCY: 800 - 4200 MHz.  
 INSERTION LOSS: < 1.0 dB  
 VSWR: < 1.30:1  
 PHASE BALANCE: ±5°  
 AMPLITUDE BALANCE: ±0.25dB  
 POWER: 200 WATT  
 ISOLATION: >10 dB  
 OPERATING TEMP: -55°C TO +85°C

MATERIAL AL. ALLOY 6061-T651	DWN DG	DATE 12-11-09	<b>Innovative Power Products</b>		
	ENG TJD	DATE 12-11-09			
FINISH ELECTRODEPOSITED NICKEL PER QQ-N-290 .0003 MIN. SEMI-BRIGHT	MANUF	DATE	TITLE OUTLINE		
	CAGE CODE: 437R2		4-Way, 800-4200 MHz, 200W		
TOLERANCE .XXX ±.005 .XX ±.02 ANG. ±1/2°	SHEET OF 1 1	SCALE 1:1	SIZE B	P/N IPP-1089	REV. A