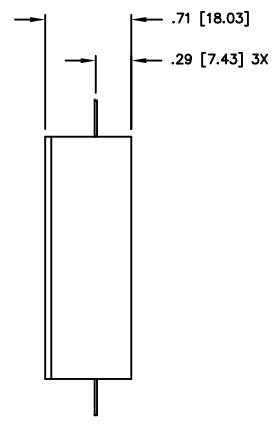
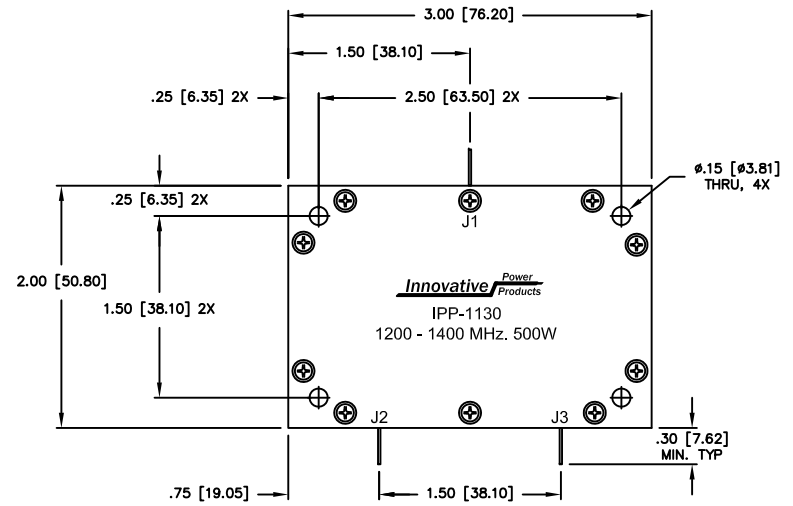


UNAUTHORIZED USE OF THIS
DRAWING IS STRICTLY PROHIBITED

DAR	REV	DESCRIPTION	APPVD	DATE
2712	1	PRE-RELEASE	TJD	9-10
5187	2	SEE DAR	DG	10-14

PRELIMINARY
DIMENSIONS AND SPECIFICATIONS
ARE SUBJECT TO CHANGE UNTIL
INITIAL RELEASE OF DRAWING.



NOTES:

- CONNECTORS: J1 - J3: .020 DIA PIN
- RoHS COMPLIANT.

ELECTRICAL SPECIFICATIONS

FREQUENCY:	1200 - 1400 MHz.
INSERTION LOSS:	< 0.3 dB
VSWR:	< 1.30:1
PHASE BALANCE:	±5°
ISOLATION:	>18 dB
AMPLITUDE BALANCE:	±0.15dB
POWER:	500 WATT
TEMPERATURE:	-55°C TO 85°C

MATERIAL AL. ALLOY 6061-T651	DWN	DG	DATE	9-10	
	ENG	TJD	DATE	9-10	
FINISH CHEM FILM CLEAR PER MIL-DTL-5541, TYPE 2, REV F, CLASS 3 ROHS COMPLIANT	MANUF	DATE		TITLE OUTLINE 2 WAY COMB/DIV, 1200 - 1400 MHz 500 WATT	
	CAGE CODE: 437R2				
TOLERANCE .XX ±.02 .XXX ±.010 ANG. ±1/2°	SHEET	OF	SCALE	1:1	SIZE P/N B IPP-1130
	1	1			