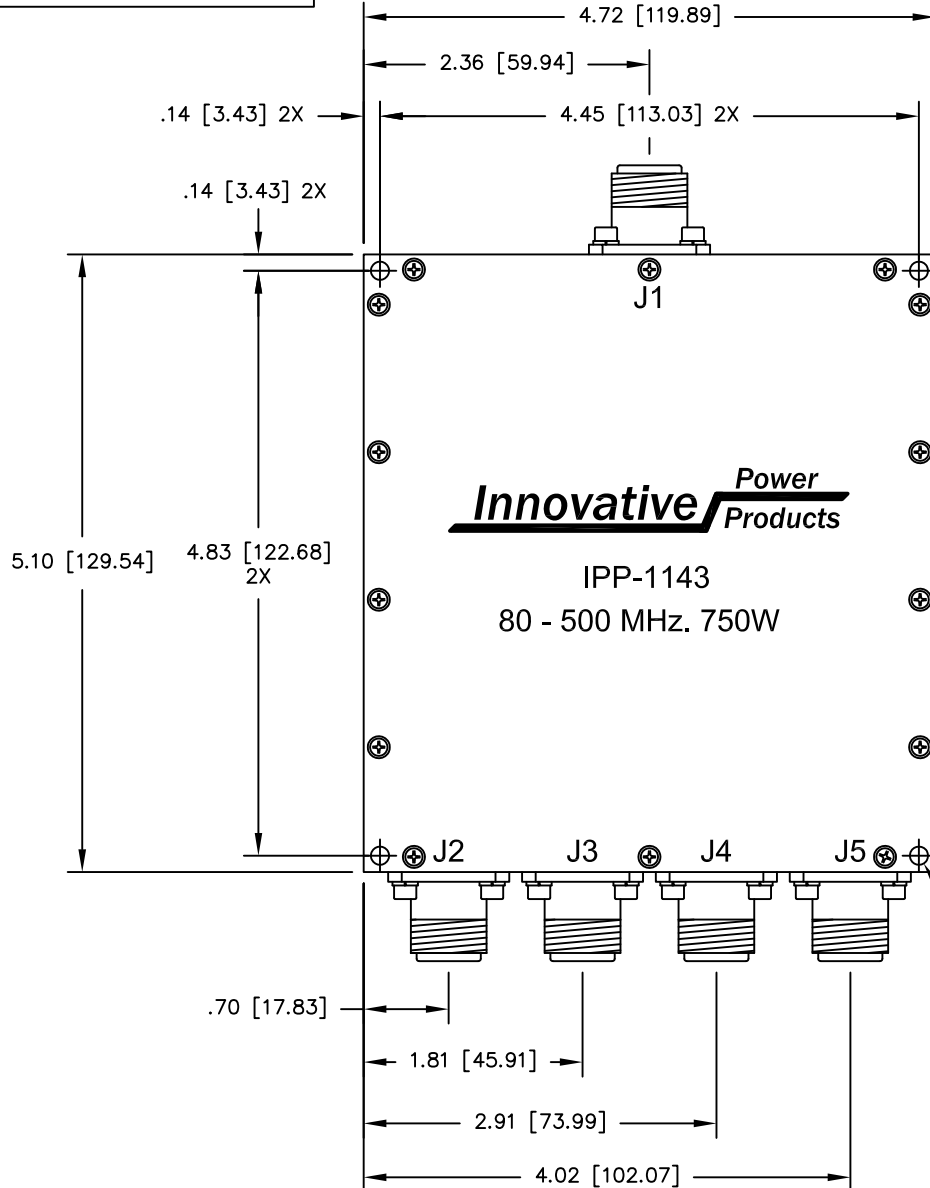


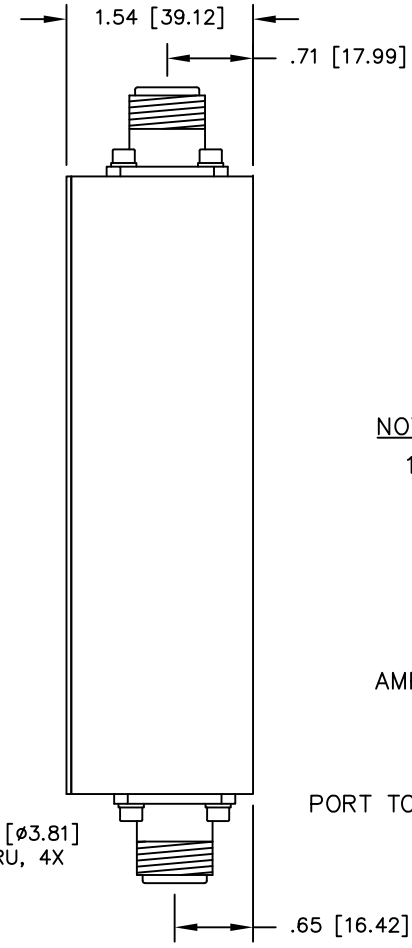
UNAUTHORIZED USE OF THIS
DRAWING IS STRICTLY PROHIBITED

DAR	REV	DESCRIPTION	APPVD	DATE
2898	A	INITIAL RELEASE	DG	1-11



Innovative Power Products

IPP-1143
80 - 500 MHz. 750W



NOTES:

1. CONNECTORS: J1 - J5 TYPE "N" FEMALE.

ELECTRICAL SPECIFICATIONS

FREQUENCY: 80 - 500 MHz.
 INSERTION LOSS: < 0.65 dB
 VSWR: < 1.30:1
 AMPLITUDE BALANCE: ± 0.25 dB
 PHASE BALANCE: $\pm 5^\circ$
 IMPEDANCE: 50 OHMS
 POWER: 750 WATT
 PORT TO PORT ISOLATION: > 10dB
 TEMPERATURE: -55°C TO 85°C

MATERIAL AL. ALLOY 6061-T651	DWN S.Cornell	DATE 1-26-11	Innovative Power Products		
	ENG DG	DATE 1-11			
FINISH CHEM FILM CLEAR PER MIL-DTL-5541, TYPE 2, REV F, CLASS 3 ROHS COMPLIANT	MANUF	DATE	TITLE OUTLINE		
	CAGE CODE: 437R2		4 - WAY 80 - 500 MHz 750 WATT		
TOLERANCE .XX $\pm .02$.XXX $\pm .010$ ANG. $\pm 1/2^\circ$	SHEET OF 1 1	SCALE 1:1	SIZE B	P/N IPP-1143	REV. A