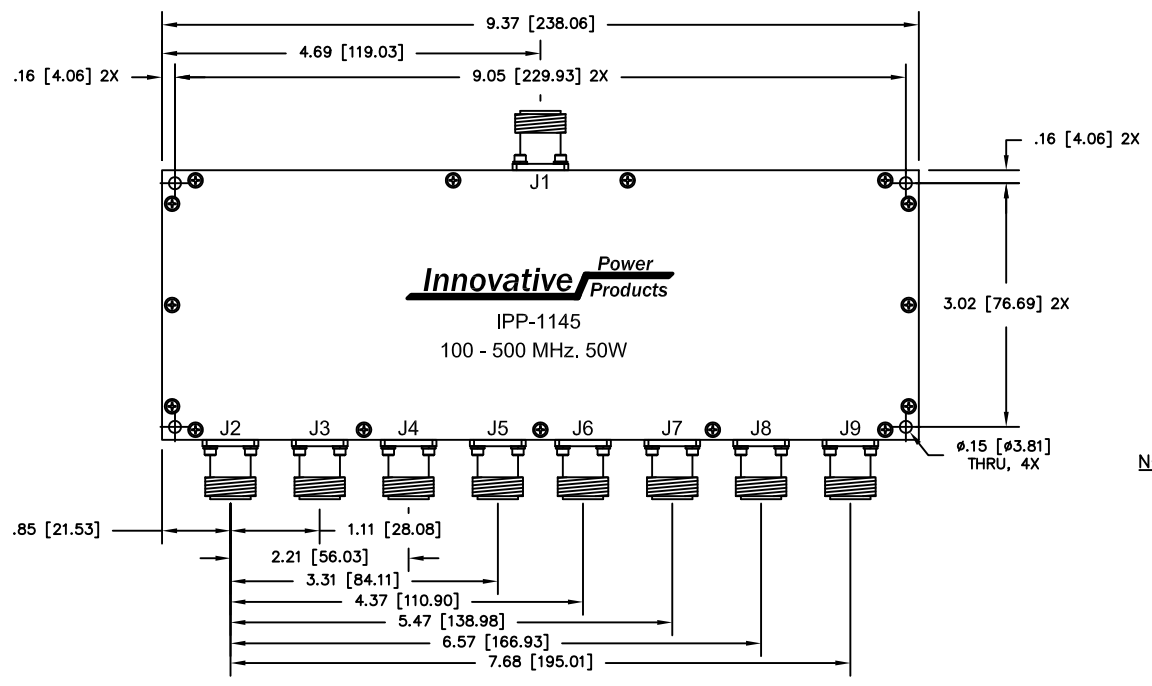
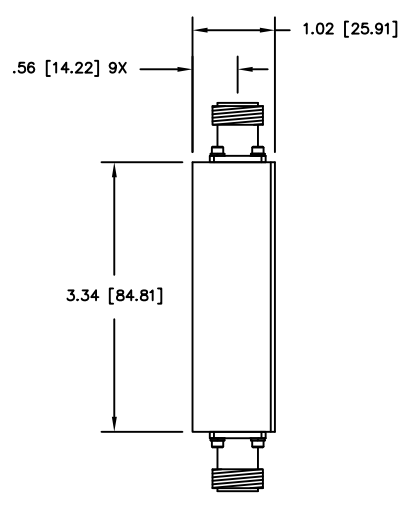


UNAUTHORIZED USE OF THIS
DRAWING IS STRICTLY PROHIBITED

DAR	REV	DESCRIPTION	APPVD	DATE
3252	A	INITIAL RELEASE	TJD	8-11
3359	B	SEE DAR	TJD	10-11
5181	C	SEE DAR	DG	9-14



Innovative Power Products
IPP-1145
100 - 500 MHz, 50W

- NOTES:
- CONNECTORS: J1 - J9 TYPE "N" FEMALE.
 - RoHS COMPLIANT.

ELECTRICAL SPECIFICATIONS

FREQUENCY:	100 -500 MHz.
INSERTION LOSS:	< 0.75 dB
VSWR:	< 1.30:1
AMPLITUDE BALANCE:	±0.20 dB
PHASE BALANCE:	±5°
UNIT TO UNIT PHASE TRACKING:	±5°
POWER:	50 WATT
ISOLATION:	10 dB
TEMPERATURE:	-55°C TO 85°C

MATERIAL	AL. ALLOY 6061-T651	DWN	DG	DATE	3-11	Innovative Power Products
FINISH	CHEM FILM CLEAR PER MIL-DTL-5541, TYPE 2, REV F, CLASS 3 ROHS COMPLIANT	ENG	TJD	DATE	3-11	
TOLERANCE	.XX ±.02 [.50] IN [MM] .XXX ±.005 [.127] ANG. ±1/2°	MANUF		DATE		
		CAGE CODE: 437R2		TITLE		OUTLINE
		SHEET	OF	SCALE	8 - WAY 100 - 500 MHz 50 WATT	
		1	1	.66:1	SIZE	P/N
					B	IPP-1145
						REV. C