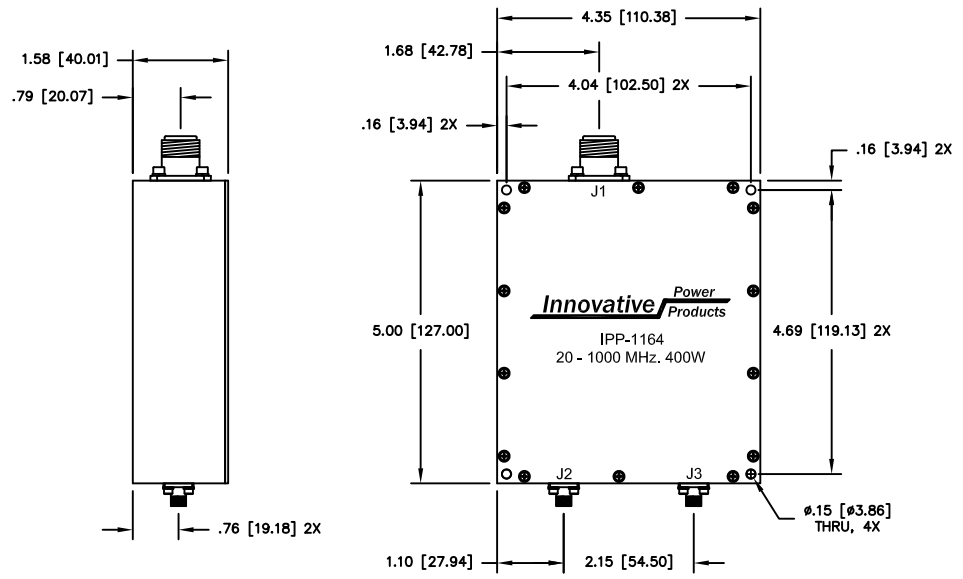


UNAUTHORIZED USE OF THIS
DRAWING IS STRICTLY PROHIBITED

DAR	REV	DESCRIPTION	APPVD	DATE
3362	A	INITIAL RELEASE	TJD	10-11
5547	B	SEE DAR	TJD	4-15



NOTES:

- CONNECTORS – J1: TYPE 'N' (F)
J2, J3: TYPE 'SMA' (F)
- J1: SUM PORT

ELECTRICAL SPECIFICATIONS

FREQUENCY:	20 – 1000 MHz.
INSERTION LOSS:	< 0.80 dB
VSWR:	< 1.30:1
PHASE BALANCE:	±5°
AMPLITUDE BALANCE:	±0.2 dB
POWER:	400 WATT
ISOLATION:	>10 dB
TEMPERATURE:	-55°C TO 85°C

MATERIAL AL. ALLOY 6061-T651	DWN DG	DATE 9-11	Innovative Power Products		
	ENG TJD	DATE 9-11			
FINISH CHEM FILM, CLEAR, PER MIL-DTL-5541, TYPE 2, REV. F, CLASS 3 (ROHS COMPLIANT)	MANUF	DATE	TITLE OUTLINE		
	CAGE CODE: 437R2		2 - WAY 20 - 1000 MHz 400 WATT		
TOLERANCE .XX ±.02 .XXX ±.010 ANG. ±1/2°	SHEET OF 1 1	SCALE .5:1	SIZE B	P/N IPP-1164	REV. B