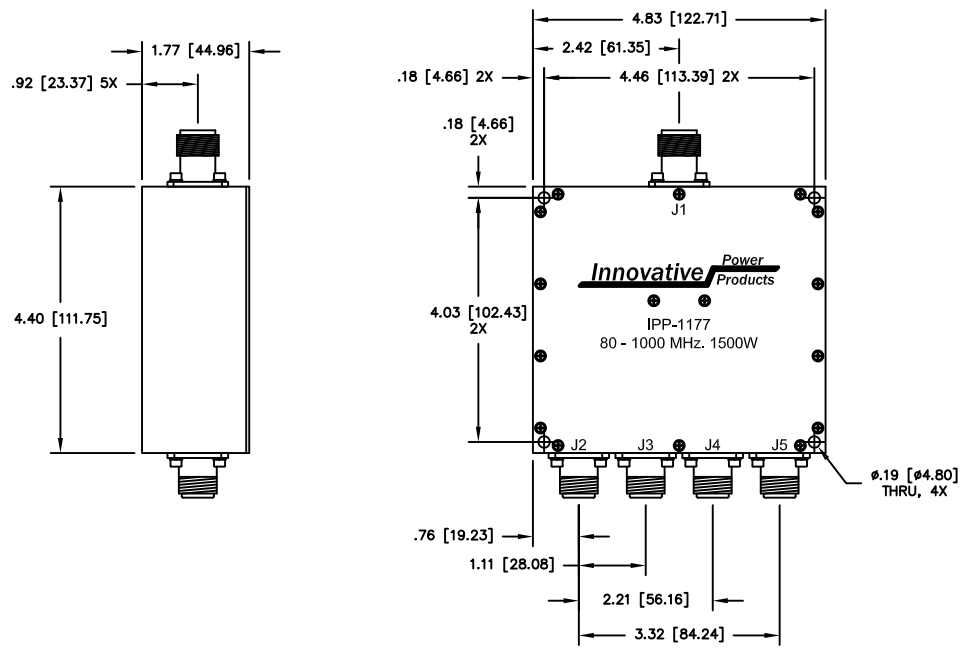


UNAUTHORIZED USE OF THIS
DRAWING IS STRICTLY PROHIBITED

DAR	REV	DESCRIPTION	APPVD	DATE
3429	A	INITIAL RELEASE	TJD	12-11
4794	B	SEE DAR	DG	2-14



NOTES:

- CONNECTOR J1: TYPE 'SC' FEMALE.
CONNECTORS J2 - J5: TYPE 'N' FEMALE.
- RoHS COMPLIANT.

ELECTRICAL SPECIFICATIONS

FREQUENCY:	80 - 1000 MHz.
INSERTION LOSS:	< 0.90 dB
VSWR:	< 1.25:1
AMPLITUDE BALANCE:	±0.25 dB
PHASE BALANCE:	±5°
POWER:	1500 WATT
PORT TO PORT ISOLATION:	> 5 dB
IMPEDANCE:	50 OHMS
TEMPERATURE:	-55°C TO 85°C

MATERIAL AL. ALLOY 6061-T651	DWN	DG	DATE	3-11	Innovative <i>Power</i> Products		
	ENG	TJD	DATE	3-11			
FINISH CHEM FILM CLEAR PER MIL-DTL-5541, TYPE 2, REV F CLASS 3 ROHS COMPLIANT	MANUF	DATE		TITLE OUTLINE			
	CAGE CODE: 437R2				4 - WAY 80 - 1000 MHz 1500 WATT		
TOLERANCE .xx ±.02 [.50] IN [MM] .xxx ±.005 [.127] ANG. ±1/2°	SHEET	OF	SCALE	.5:1	SIZE	P/N IPP-1177	REV. B
	1	1			B		