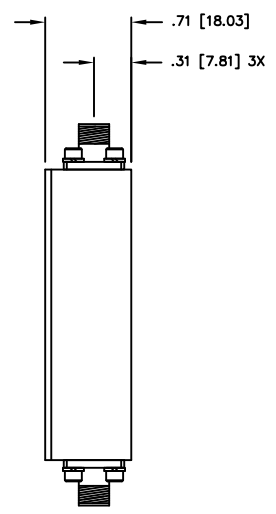
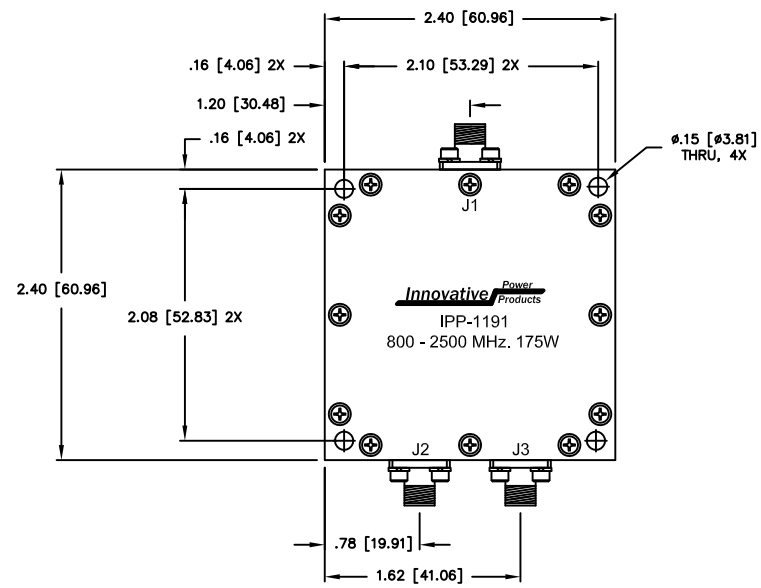


UNAUTHORIZED USE OF THIS  
DRAWING IS STRICTLY PROHIBITED

DAR	REV	DESCRIPTION	APPVD	DATE
3665	1	PRE-RELEASE	DG	5-12
5187	2	SEE DAR	DG	10-14

**PRELIMINARY**  
DIMENSIONS AND SPECIFICATIONS  
ARE SUBJECT TO CHANGE UNTIL  
INITIAL RELEASE OF DRAWING.



**NOTES:**

- CONNECTORS: J1 - J3 TYPE "SMA" FEMALE.
- RoHS COMPLIANT.

**ELECTRICAL SPECIFICATIONS**

FREQUENCY:	800 - 2500 MHz.
INSERTION LOSS:	< 0.5 dB
VSWR:	< 1.25:1
PHASE BALANCE:	±5°
ISOLATION:	>13 dB
AMPLITUDE BALANCE:	±0.20dB
POWER:	175 WATT
TEMPERATURE:	-55°C TO 85°C

MATERIAL AL. ALLOY 6061-T651	DWN S.Cornell	DATE 5-4-12	<b>Innovative Power Products</b>			
	ENG DG	DATE 5-12				
FINISH CHEM FILM CLEAR PER MIL-DTL-5541, TYPE 2, REV F, CLASS 3 ROHS COMPLIANT	MANUF	DATE	TITLE OUTLINE			
	CAGE CODE: 437R2		2 WAY COMBINER 800 - 2500 MHz 175 WATT			
TOLERANCE .XX ±.02 .XXX ±.010 ANG. ±1/2°	SHEET 1	OF 1	SCALE 1:1	SIZE B	P/N IPP-1191	REV. 2