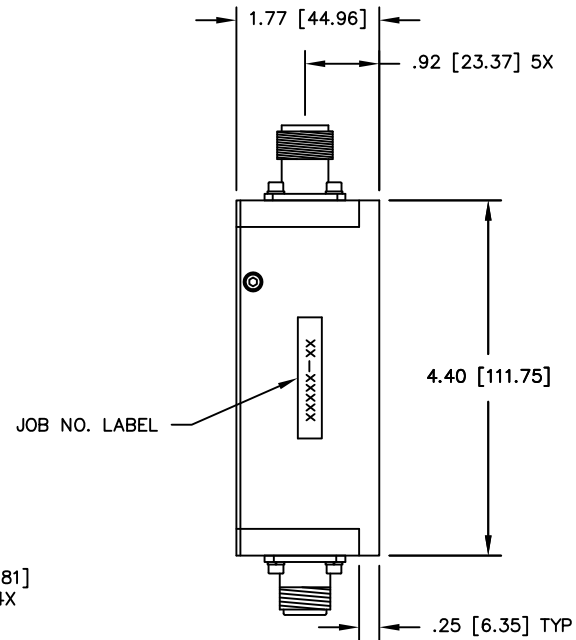
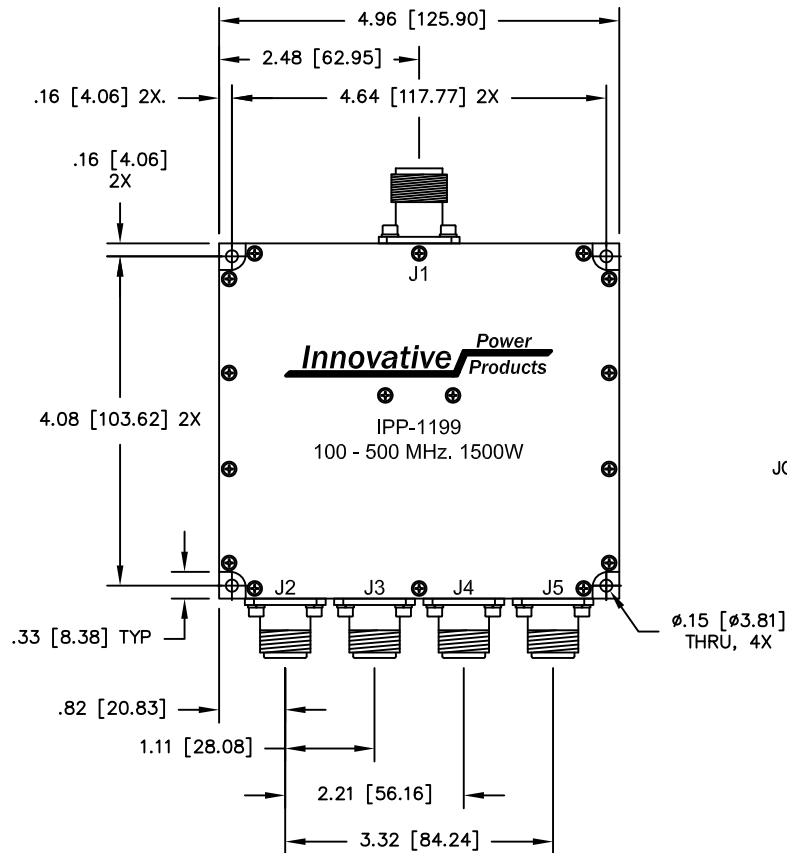


UNAUTHORIZED USE OF THIS
DRAWING IS STRICTLY PROHIBITED

DAR	REV	DESCRIPTION	APPVD	DATE
5059	A	INITIAL RELEASE	DG	7-14
6025	B	SEE DAR	DG	2-16
6635	C	SEE DAR	DG	3-17



NOTES:

- CONNECTOR J1: TYPE 'SC' FEMALE.
CONNECTORS J2 - J5: TYPE 'N' FEMALE.

ELECTRICAL SPECIFICATIONS

FREQUENCY:	100 - 500 MHz.
INSERTION LOSS:	< 0.60 dB
VSWR:	< 1.25:1
AMPLITUDE BALANCE:	± 0.25 dB
PHASE BALANCE:	$\pm 5^\circ$
POWER:	1500 WATT
PORT TO PORT ISOLATION:	>11dB
IMPEDANCE:	50 OHMS
TEMPERATURE:	-55°C TO 85°C

MATERIAL AL. ALLOY 6061-T651	DWN S.Cornell	DATE 8-9-12				
	ENG DG	DATE 8-12				
FINISH ELECTRODEPOSITED NICKEL PER QQ-N-290, .0003 MIN. SEMI-BRIGHT	MANUF	DATE	TITLE OUTLINE 4 - WAY 100 - 500 MHz 1500 WATT			
	CAGE CODE: 437R2					
TOLERANCE .XX $\pm .02$ [.50] IN [MM] .XXX $\pm .005$ [.127] ANG. $\pm 1/2^\circ$	SHEET 1	OF 1	SCALE .66:1	SIZE B	P/N IPP-1199	REV. C