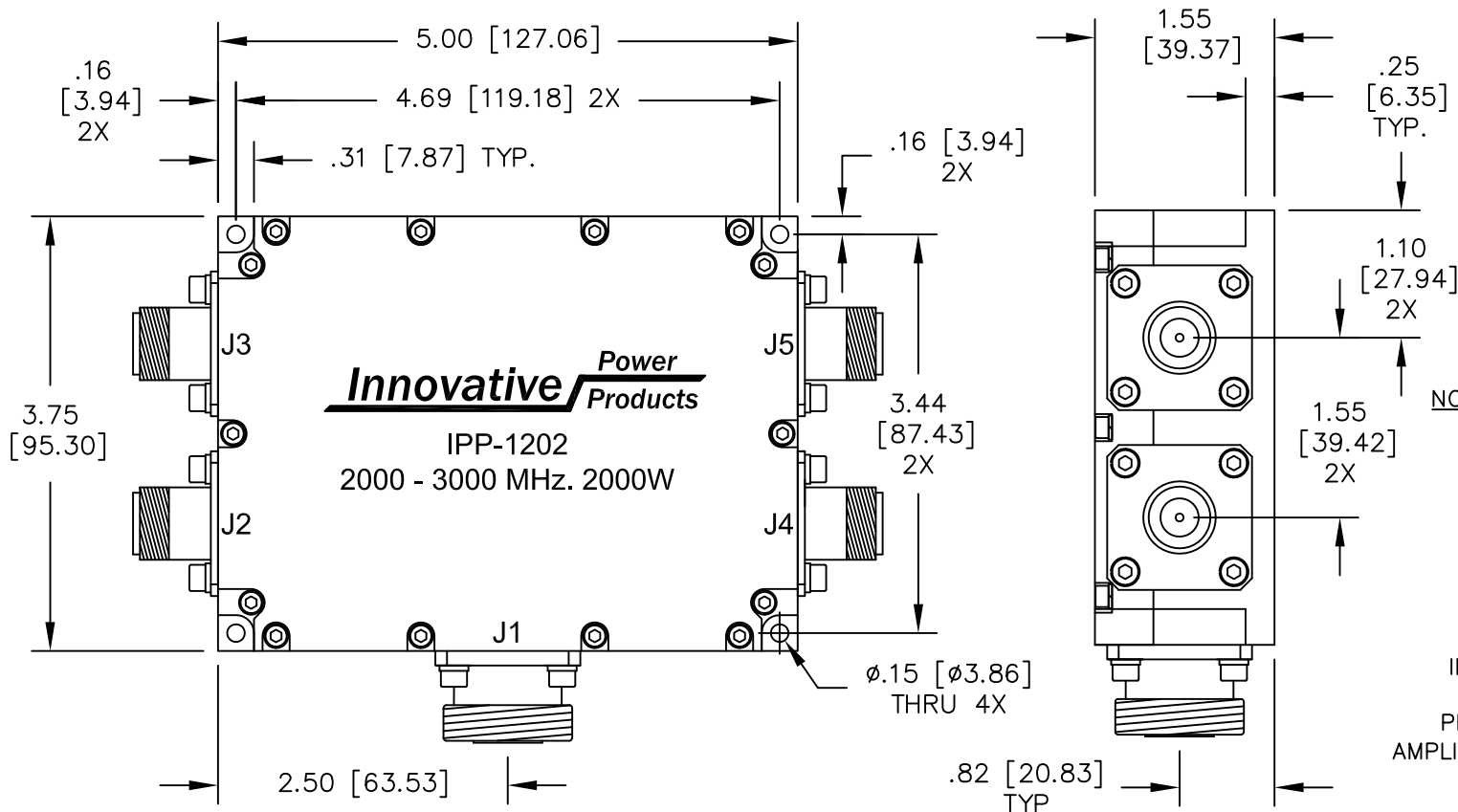


UNAUTHORIZED USE OF THIS
DRAWING IS STRICTLY PROHIBITED

DAR	REV	DESCRIPTION	APPVD	DATE
3997	A	INITIAL RELEASE	DG	11-12
4472	B	SEE DAR	TJD	8-13
5186	C	SEE DAR	TJD	10-14



NOTES:

- CONNECTOR: J1: TYPE "7/16" FEMALE.
- CONNECTORS: J2-J5: TYPE "N" FEMALE.
- RoHS COMPLIANT.

ELECTRICAL SPECIFICATIONS

FREQUENCY:	2000 - 3000 MHz.
INSERTION LOSS:	< 0.20 dB
VSWR:	< 1.30:1
PHASE BALANCE:	$\pm 5^\circ$
AMPLITUDE BALANCE:	± 0.15 dB
POWER:	2000 WATT
ISOLATION:	NA
TEMPERATURE:	-40°C TO +85°C

J1: SUM PORT
J2: INPUT
J3: INPUT
J4: INPUT
J5: INPUT

MATERIAL AL. ALLOY 6061-T651	DWN S.Cornell	DATE 8-24-12	Innovative Power Products	
	ENG DG	DATE 8/12		
FINISH CHEM FILM CLEAR PER MIL-DTL-5541, TYPE 2, REV F, CLASS 3 ROHS COMPLIANT	MANUF	DATE	TITLE OUTLINE (AIRLINE), 4-WAY COMBINER 2000 - 3000 MHz 2000 WATT	
	CAGE CODE: 437R2		SIZE B	P/N IPP-1202
TOLERANCE .XX $\pm .02$.XXX $\pm .010$ ANG. $\pm 1/2^\circ$	SHEET OF 1 1	SCALE 1:1		