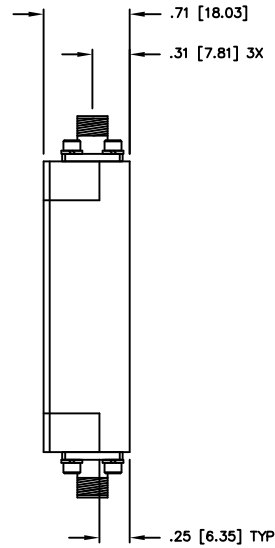
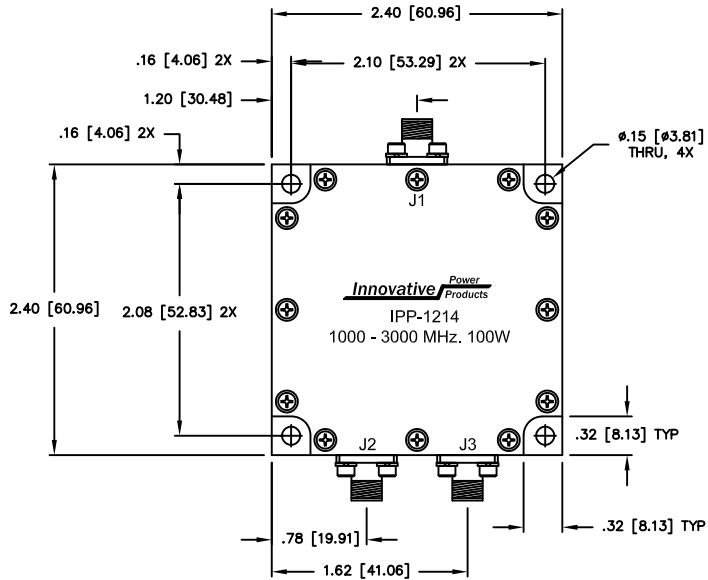


UNAUTHORIZED USE OF THIS
DRAWING IS STRICTLY PROHIBITED

DAR	REV	DESCRIPTION	APPVD	DATE
4395	A	INITIAL RELEASE	DG	6-13
5181	B	SEE DAR	DG	9-14



NOTES:

- CONNECTORS: J1 - J3 TYPE "SMA" FEMALE.
- RoHS COMPLIANT.

ELECTRICAL SPECIFICATIONS

FREQUENCY:	1000 - 3000 MHz.
INSERTION LOSS:	< 0.5 dB
VSWR:	< 1.25:1
PHASE BALANCE:	±5°
ISOLATION:	>13 dB
AMPLITUDE BALANCE:	±0.20dB
POWER:	100 WATT
TEMPERATURE:	-55°C TO 85°C

MATERIAL AL. ALLOY 6061-T651	DWN S.Cornell	DATE 10-12-12			
	ENG DG	DATE 6-13			
FINISH ELECTRODEPOSITED NICKEL PER QQ-N-290, .0003 MIN. SEMI-BRIGHT	MANUF	DATE	TITLE OUTLINE		
	CAGE CODE: 437R2		2 WAY COMBINER 1000 - 3000 MHz 100 WATT		
TOLERANCE .XX ±.02 .XXX ±.010 ANG. ±1/2°	SHEET OF 1 1	SCALE 1:1	SIZE B	P/N IPP-1214	REV. B