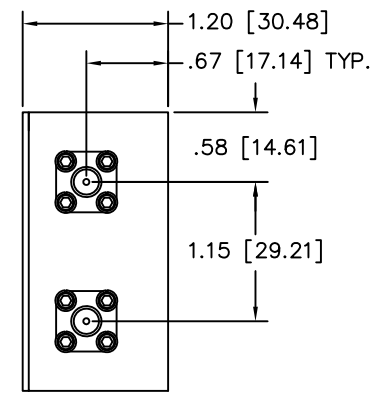
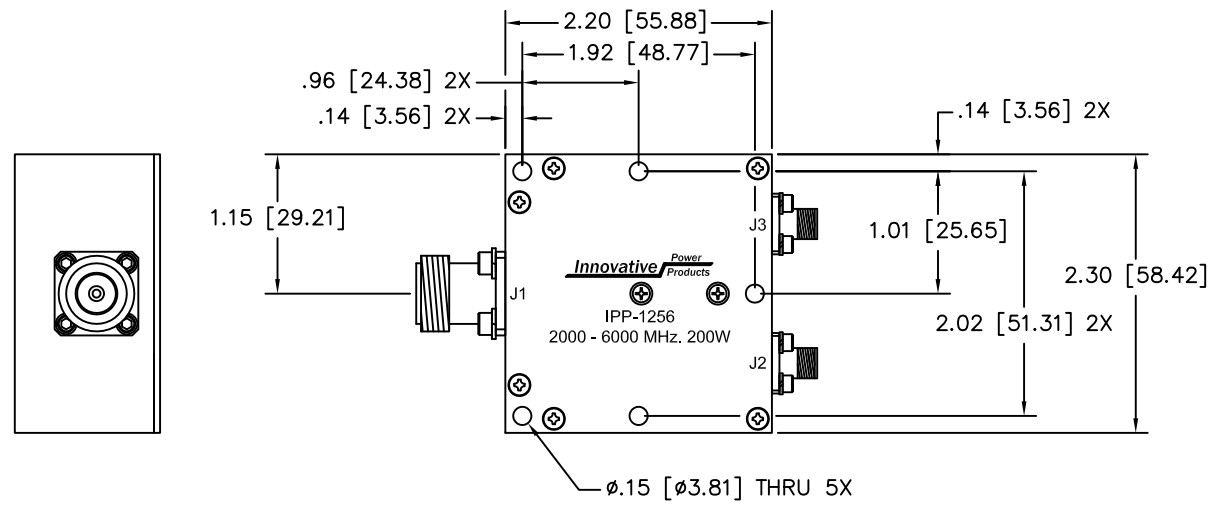


UNAUTHORIZED USE OF THIS
DRAWING IS STRICTLY PROHIBITED

DAR	REV	DESCRIPTION	APPVD	DATE
5034	A	INITIAL RELEASE	DG	7-14
5170	B	SEE DAR	DG	9-14



NOTES:

- CONNECTORS: J1: TYPE "N" FEMALE
J2-J3: TYPE "SMA" FEMALE

ELECTRICAL SPECIFICATIONS

- FREQUENCY: 2000 - 6000 MHz.
- INSERTION LOSS: < 0.30 dB
- VSWR: < 1.30: 1
- PHASE BALANCE: $\pm 5^\circ$
- AMPLITUDE BALANCE: ± 0.15 dB
- POWER: 200 WATT
- ISOLATION: NON-ISOLATED
- TEMPERATURE: -55°C TO $+85^\circ\text{C}$

MATERIAL AL. ALLOY 6061-T651	DWN S.Cornell	DATE 5-30-14	Innovative Power Products		
	ENG DG	DATE 6-14			
FINISH ELECTRODEPOSITED NICKEL PER QQ-N-290, .0003 MIN. SEMI-BRIGHT	MANUF	DATE	TITLE OUTLINE		
	CAGE CODE: 437R2		2 - WAY 2000 - 6000 MHz 200 WATT		
TOLERANCE .xxx $\pm .005$ [.127] IN [MM] .xx $\pm .02$ [.50] ANG. $\pm 1/2^\circ$	SHEET 1 OF 1	SCALE 1:1	SIZE B	P/N IPP-1256	REV. B