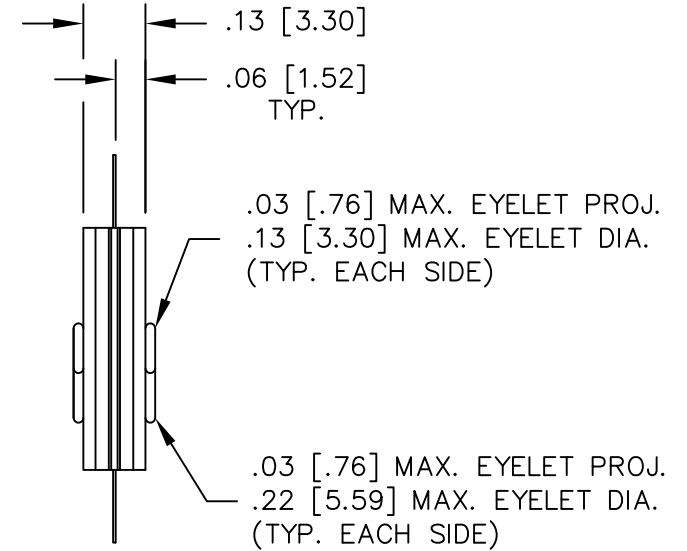
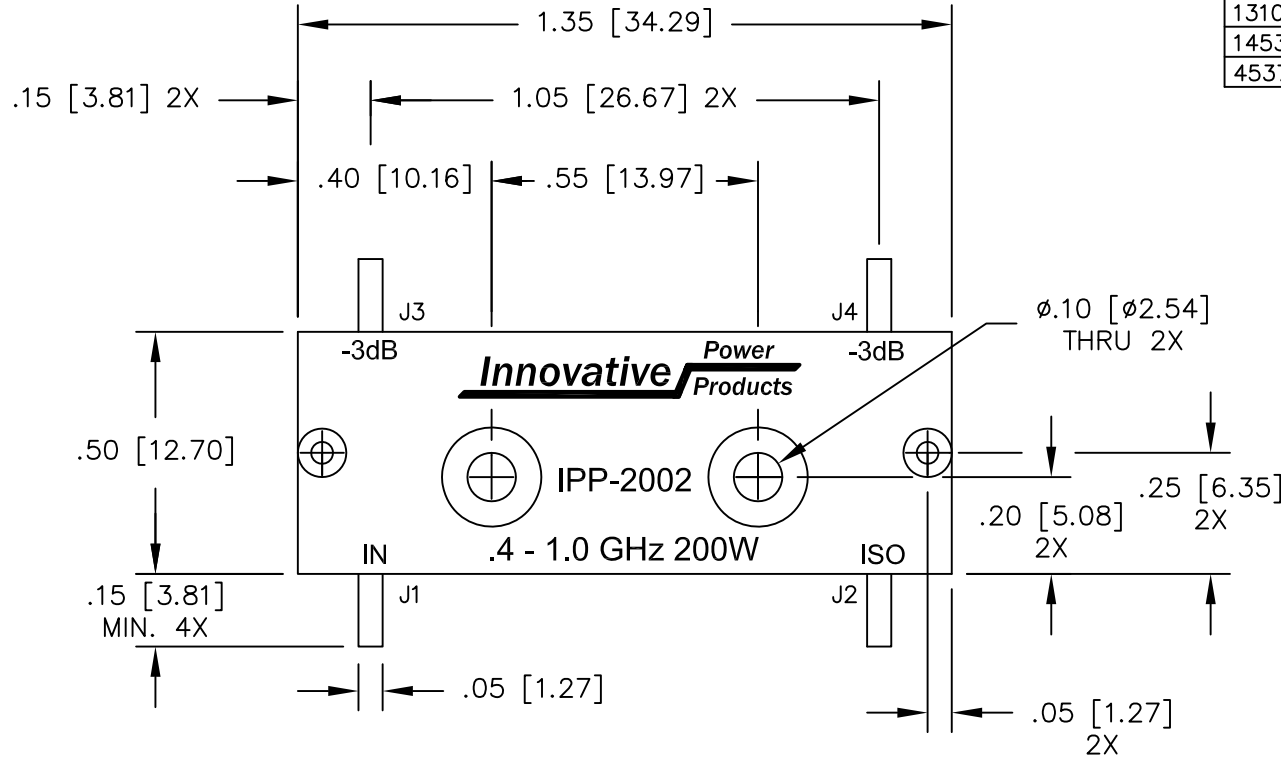


UNAUTHORIZED USE OF THIS
DRAWING IS STRICTLY PROHIBITED

DAR	REV	DESCRIPTION	APPVD	DATE
1010	A	INITIAL RELEASE	TJD	8/05
1011	B	UPDATE LOG & BORDER	TJD	8/05
1045	C	ADD [mm] DIMENSIONS	TJD	12/05
1310	D	REVISE PHASE AND VSWR	TJD	7-07
1453	E	REVISE SPECIFICATIONS	DG	6-08
4537	F	SEE DAR	DG	9-13



ELECTRICAL SPECIFICATIONS

- NOTES:**
- LEAD MATERIAL: 99.99% PURE SILVER
.005 [.127] THICK.
 - SEE 90° APPLICATION NOTE FOR FURTHER INFORMATION.
 - RoHS COMPLIANT.
 - DATA AND SPECIFICATIONS APPLY WHEN PART IS MOUNTED IN IPP TEST FIXTURE TF-1000. TEST FIXTURE CONFIGURATION/FOOTPRINT AVAILABLE ON REQUEST.
- FREQUENCY: .4 - 1.0 GHz.
INSERTION LOSS: < 0.25 dB
VSWR: < 1.25:1
ISOLATION: > 18.5 dB
AMPLITUDE BALANCE: ±0.65 dB
PHASE BALANCE: ±5°
POWER: 200 WATT
TEMPERATURE: -55°C TO 85°C

PORT CONFIGURATION				
INPUT	J1	J2	J3	J4
J1	---	ISOLATION	-3dB<0 DEG	-3dB<-90 DEG
J2	ISOLATION	---	-3dB<-90 DEG	-3dB<0 DEG
J3	-3dB<0 DEG	-3dB<-90 DEG	---	ISOLATION
J4	-3dB<-90 DEG	-3dB<0 DEG	ISOLATION	---

MATERIAL AL. ALLOY, 6061-T6	DWN	DG	DATE	8/05	Innovative Power Products
	ENG	TJD	DATE	8/05	
FINISH CHEM FILM CLEAR PER MIL-DTL-5541, TYPE 2, REV F, CLASS 3 ROHS COMPLIANT	MANUF	TP	DATE	8/05	TITLE OUTLINE, COUP., 90°, .4 - 1.0 GHz. 200W
	CAGE CODE: 437R2				
TOLERANCE IN [MM]	.xx ±.02 [.50]	.xxx ±.005 [.127]	ANG. ±1/2°	SHEET 1 OF 1	SCALE 4:1
SIZE	B	P/N	IPP-2002	REV.	F