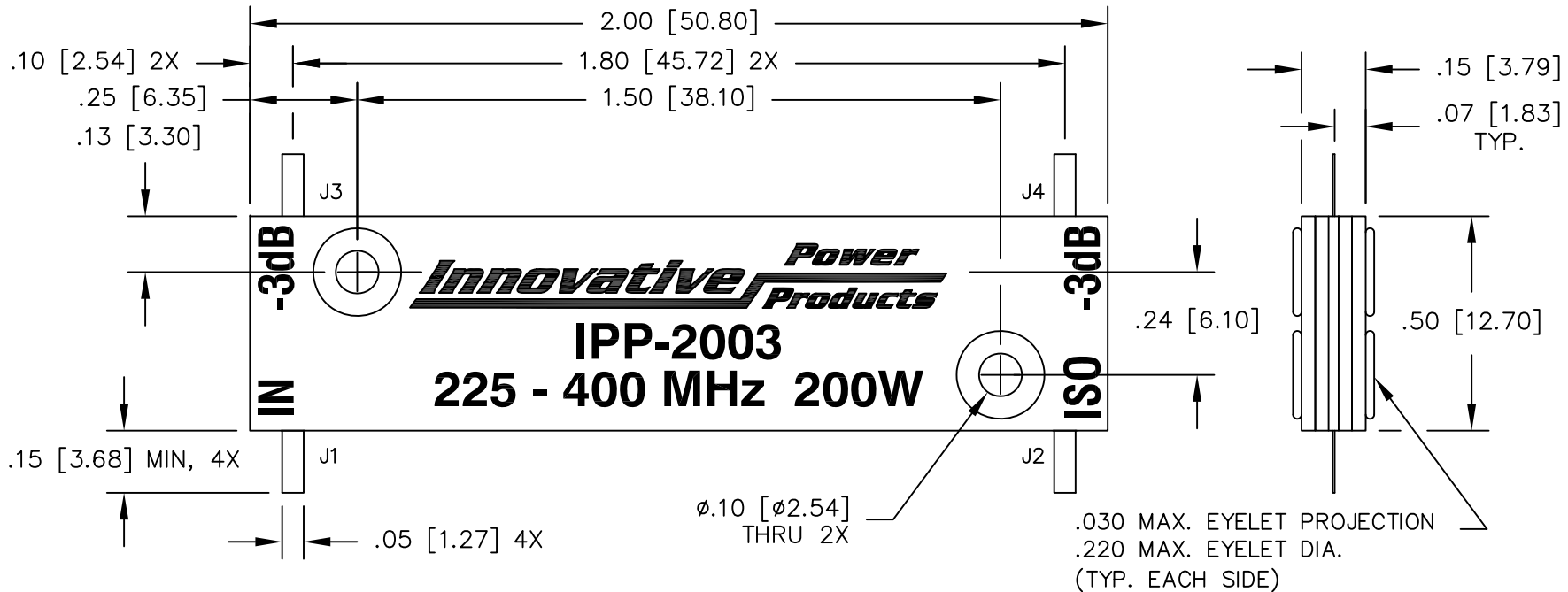


UNAUTHORIZED USE OF THIS  
DRAWING IS STRICTLY PROHIBITED

DAR	REV	DESCRIPTION	APPVD	DATE
4537	E	SEE DAR	DG	9-13
8438	F	SEE DAR	TJD	11-20
8649	G	SEE DAR	DG	6-21



**ELECTRICAL SPECIFICATIONS**

**NOTES:**

- LEAD MATERIAL: 99.99% PURE SILVER  
.005 [.127] THICK.
- SEE 90° APPLICATION NOTE FOR FURTHER INFORMATION.
- RoHS COMPLIANT.
- DATA AND SPECIFICATIONS APPLY WHEN PART IS MOUNTED IN IPP TEST FIXTURE TF-1089. TEST FIXTURE CONFIGURATION/FOOTPRINT AVAILABLE ON REQUEST.

FREQUENCY:	225 - 400 MHz.
INSERTION LOSS:	< 0.25 dB
VSWR:	< 1.25:1
ISOLATION:	> 20 dB
AMPLITUDE BALANCE:	±0.50 dB
PHASE BALANCE:	±5°
POWER:	200 WATT
TEMPERATURE:	-55°C TO 85°C

PORT CONFIGURATION				
INPUT	J1	J2	J3	J4
J1	---	ISOLATION	-3dB<0 DEG	-3dB<-90 DEG
J2	ISOLATION	---	-3dB<-90 DEG	-3dB<0 DEG
J3	-3dB<0 DEG	-3dB<-90 DEG	---	ISOLATION
J4	-3dB<-90 DEG	-3dB<0 DEG	ISOLATION	---

MATERIAL AL. ALLOY, 6061-T6	DWN	DG	DATE	9/05	<b>Innovative Power Products</b>
	ENG	TJD	DATE	9/05	
FINISH CHEM FILM CLEAR PER MIL-DTL-5541, TYPE 2, REV F, CLASS 3, ROHS COMPLIANT	MANUF	TP	DATE	9/05	TITLE OUTLINE, COUP., 90°, 225 - 400 MHz. 200W
	CAGE CODE: 437R2				
TOLERANCE .xx ±.02 [.50] IN [MM] .xxx ±.005 [.127] ANG. ±1/2°	SHEET	OF	SCALE		SIZE B
	1	1	4:1		P/N IPP-2003
					REV. G