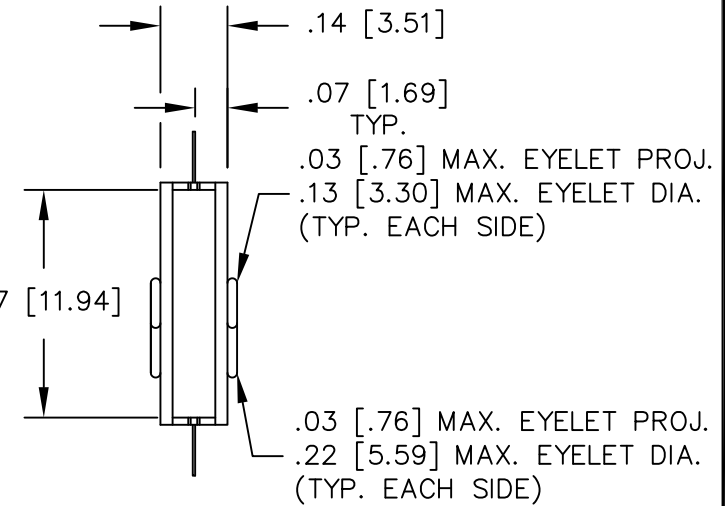
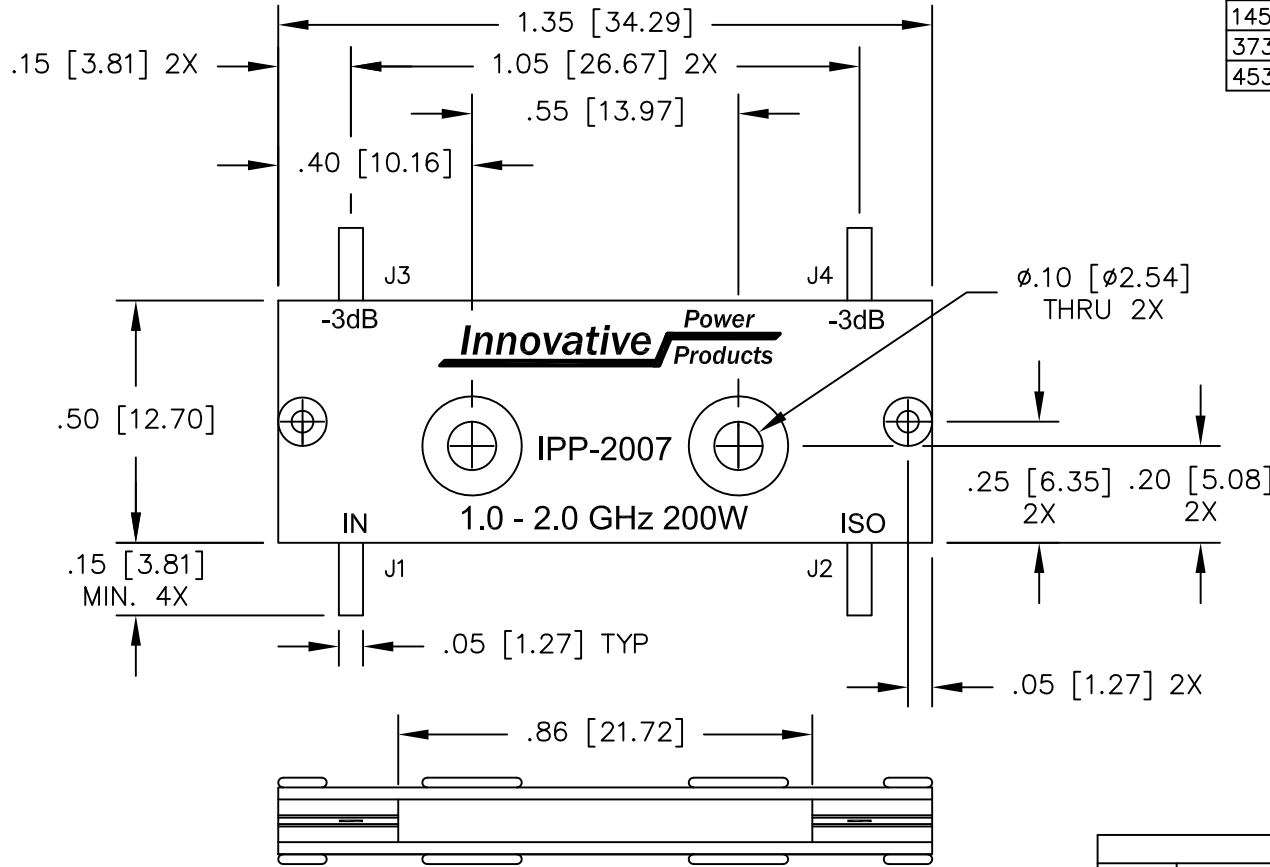


UNAUTHORIZED USE OF THIS  
DRAWING IS STRICTLY PROHIBITED

DAR	REV	DESCRIPTION	APPVD	DATE
1036	A	INITIAL RELEASE	TJD	12-05
1131	B	ADD GROUND WRAP ON SIDE VIEW	TP	5-06
1453	C	REVISED SPECIFICATIONS	DG	6-08
3739	D	SEE DAR	DG	6-12
4537	E	SEE DAR	DG	9-13



**ELECTRICAL SPECIFICATIONS**

- NOTES:**
- LEAD MATERIAL: 99.99% PURE SILVER  
.005 [.127] THICK.
  - SEE 90° APPLICATION NOTE FOR FURTHER INFORMATION.
  - RoHS COMPLIANT.
  - DATA AND SPECIFICATIONS APPLY WHEN PART IS MOUNTED IN IPP TEST FIXTURE TF-1000. TEST FIXTURE CONFIGURATION/FOOTPRINT AVAILABLE ON REQUEST.
- |                    |                |
|--------------------|----------------|
| FREQUENCY:         | 1.0 - 2.0 GHz. |
| INSERTION LOSS:    | < 0.25 dB      |
| VSWR:              | < 1.20:1       |
| ISOLATION:         | > 20 dB        |
| AMPLITUDE BALANCE: | ±0.50 dB       |
| PHASE BALANCE:     | ±5°            |
| POWER:             | 200 WATT       |
| TEMPERATURE:       | -55°C TO 85°C  |

PORT CONFIGURATION				
INPUT	J1	J2	J3	J4
J1	---	ISOLATION	-3dB<0 DEG	-3dB<-90 DEG
J2	ISOLATION	---	-3dB<-90 DEG	-3dB<0 DEG
J3	-3dB<0 DEG	-3dB<-90 DEG	---	ISOLATION
J4	-3dB<-90 DEG	-3dB<0 DEG	ISOLATION	---

MATERIAL AL. ALLOY, 6061-T6	DWN	DG	DATE	12/05			
	ENG	TJD	DATE	12/05			
FINISH CHEM FILM CLEAR PER MIL-DTL-5541, TYPE 2, REV F, CLASS 3 ROHS COMPLIANT	MANUF	TP	DATE	12/05		TITLE OUTLINE, COUP., 90°, 1.0 - 2.0 GHz. 200W	
TOLERANCE IN [MM] .XX ±.02 [.50] .XXX ±.005 [.127] ANG. ±1/2°	CAGE CODE: 437R2				SIZE B	P/N IPP-2007	REV. E
	SHEET	OF	SCALE				
	1	1	4:1				