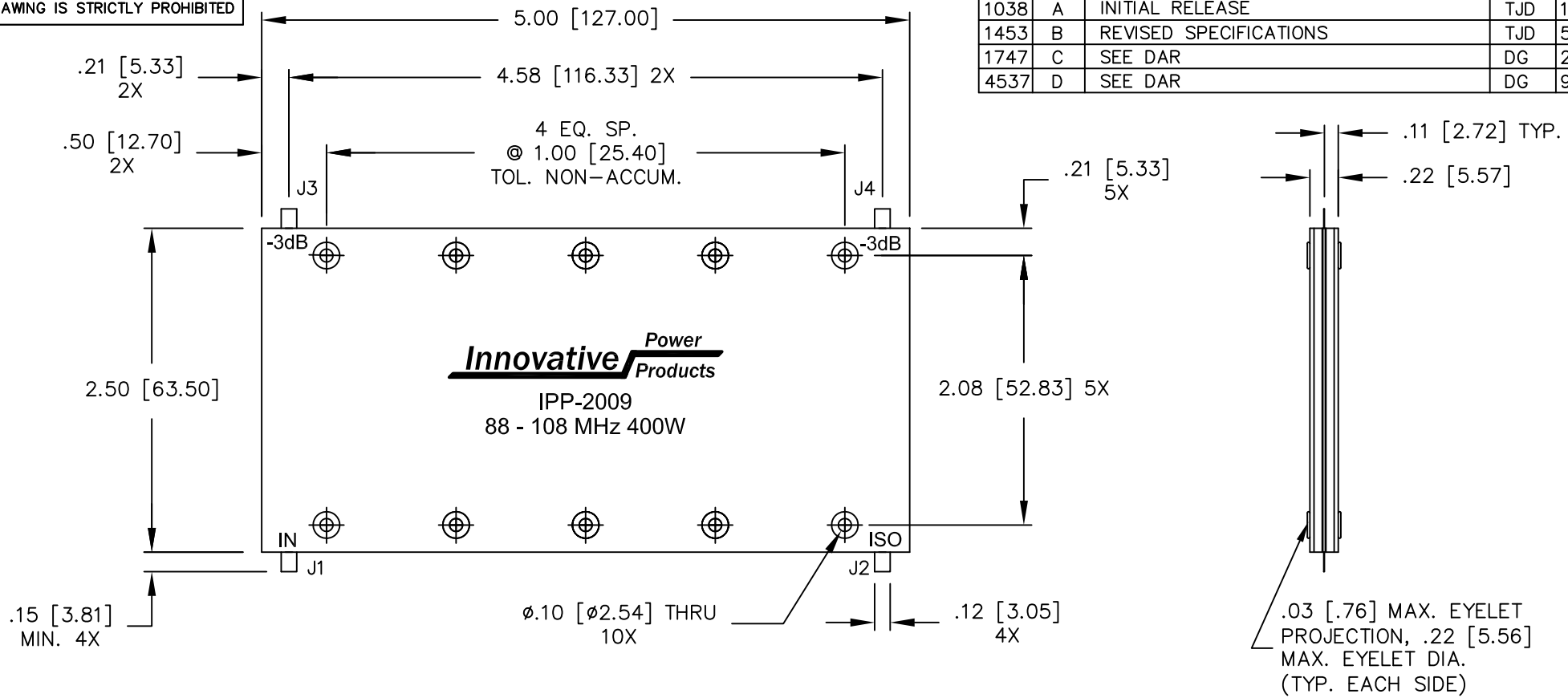


UNAUTHORIZED USE OF THIS
DRAWING IS STRICTLY PROHIBITED

DAR	REV	DESCRIPTION	APPVD	DATE
1038	A	INITIAL RELEASE	TJD	12/05
1453	B	REVISED SPECIFICATIONS	TJD	5/08
1747	C	SEE DAR	DG	2-09
4537	D	SEE DAR	DG	9-13



ELECTRICAL SPECIFICATIONS

FREQUENCY:	88 - 108 MHz.
INSERTION LOSS:	< 0.2 dB
VSWR:	< 1.25:1
ISOLATION:	> 20 dB
AMPLITUDE BALANCE:	±0.40 dB
PHASE BALANCE:	±5°
POWER:	400 WATT
TEMPERATURE:	-55°C TO 85°C

- NOTES:**
- LEAD MATERIAL: 99.99% PURE SILVER .005 [.127] THICK.
 - SEE 90° APPLICATION NOTE FOR FURTHER INFORMATION.
 - RoHS COMPLIANT.
 - DATA AND SPECIFICATIONS APPLY WHEN PART IS MOUNTED IN IPP TEST FIXTURE TF-1086. TEST FIXTURE CONFIGURATION/FOOTPRINT AVAILABLE ON REQUEST.

PORT CONFIGURATION				
INPUT	J1	J2	J3	J4
J1	---	ISOLATION	-3dB<0 DEG	-3dB<-90 DEG
J2	ISOLATION	---	-3dB<-90 DEG	-3dB<0 DEG
J3	-3dB<0 DEG	-3dB<-90 DEG	---	ISOLATION
J4	-3dB<-90 DEG	-3dB<0 DEG	ISOLATION	---

MATERIAL AL. ALLOY, 6061-T6	DWN	DG	DATE	12/05	Innovative Power Products
	ENG	TJD	DATE	12/05	
FINISH CHEM FILM CLEAR PER MIL-DTL-5541, TYPE 2, REV F, CLASS 3, ROHS COMPLIANT	MANUF	TP	DATE	12/05	
TOLERANCE IN [MM]	CAGE CODE: 437R2		SCALE 1 1 1.33:1		SIZE B
.xx ±.02 [.50] .xxx ±.005 [.127] ANG. ±1/2°	SHEET OF 1 1		SCALE 1.33:1		P/N IPP-2099
					REV. D