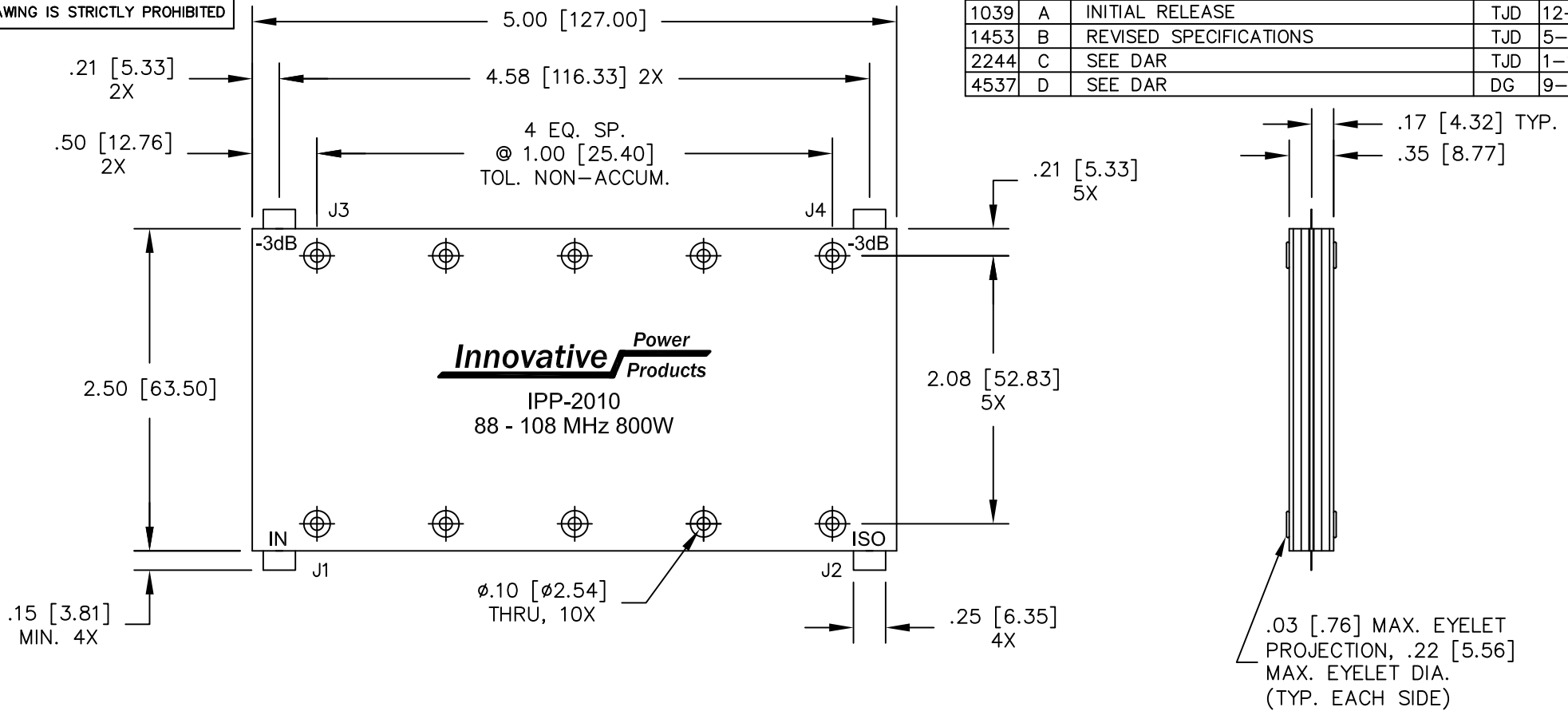


UNAUTHORIZED USE OF THIS
DRAWING IS STRICTLY PROHIBITED

DAR	REV	DESCRIPTION	APPVD	DATE
1039	A	INITIAL RELEASE	TJD	12-05
1453	B	REVISED SPECIFICATIONS	TJD	5-08
2244	C	SEE DAR	TJD	1-10
4537	D	SEE DAR	DG	9-13



ELECTRICAL SPECIFICATIONS

- NOTES:**
- LEAD MATERIAL: 99.99% PURE SILVER .005 [.127] THICK.
 - SEE 90° APPLICATION NOTE FOR FURTHER INFORMATION.
 - RoHS COMPLIANT.
 - DATA AND SPECIFICATIONS APPLY WHEN PART IS MOUNTED IN IPP TEST FIXTURE TF-1011. TEST FIXTURE CONFIGURATION/FOOTPRINT AVAILABLE ON REQUEST.
- FREQUENCY: 88 - 108 MHz.
 INSERTION LOSS: < 0.2 dB
 VSWR: < 1.25:1
 ISOLATION: > 20 dB
 AMPLITUDE BALANCE: ±0.40 dB
 PHASE BALANCE: ±5°
 POWER: 800 WATT
 TEMPERATURE: -55°C TO 85°C

PORT CONFIGURATION				
INPUT	J1	J2	J3	J4
J1	---	ISOLATION	-3dB<0 DEG	-3dB<-90 DEG
J2	ISOLATION	---	-3dB<-90 DEG	-3dB<0 DEG
J3	-3dB<0 DEG	-3dB<-90 DEG	---	ISOLATION
J4	-3dB<-90 DEG	-3dB<0 DEG	ISOLATION	---

MATERIAL AL. ALLOY, 6061-T6	DWN	DG	DATE	12/05	Innovative Power Products
	ENG	TJD	DATE	12/05	
FINISH CHEM FILM CLEAR PER MIL-DTL-5541, TYPE 2, REV F, CLASS 3 ROHS COMPLIANT	MANUF	TP	DATE	12/05	TITLE OUTLINE, COUP., 90°, 88 - 108 MHz. 800W
	CAGE CODE: 437R2				
TOLERANCE	.xx ±.02 [.50]				SIZE B
IN [MM]	.xxx ±.005 [.127] ANG. ±1/2°	SHEET OF 1 1	SCALE 1.33:1		
					P/N IPP-2010
					REV. D