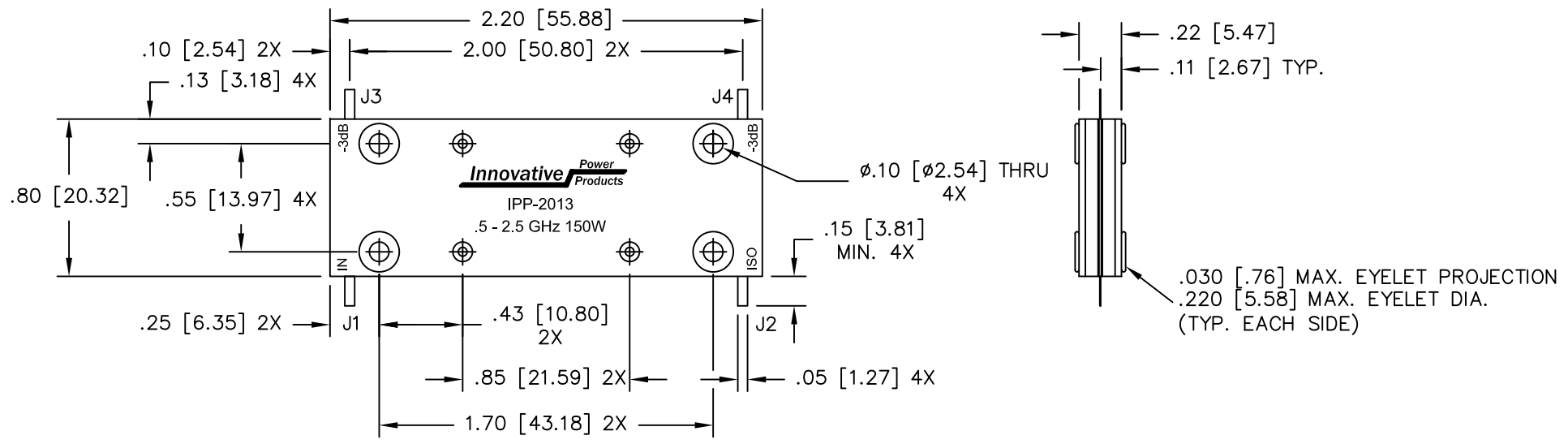


UNAUTHORIZED USE OF THIS
DRAWING IS STRICTLY PROHIBITED

DAR	REV	DESCRIPTION	APPVD	DATE
1042	A	INITIAL RELEASE	TJD	12-05
1058	B	REMOVE 2 CENTER EYELETS	TJD	2-06
1277	C	CHANGE POWER FROM 200 W TO 150 W	TJD	4-07
1453	D	REVISE SPECIFICATIONS	DG	6-08
2905	E	SEE DAR	DG	2-11
4806	F	SEE DAR	DG	2-14



ELECTRICAL SPECIFICATIONS

FREQUENCY:	0.5 - 2.5 GHz.
INSERTION LOSS:	< 0.50 dB
VSWR:	< 1.30:1
ISOLATION:	> 18 dB
AMPLITUDE BALANCE:	± 0.65 dB
PHASE BALANCE:	$\pm 5^\circ$
POWER:	150 WATT
TEMPERATURE:	-55°C TO 85°C

- NOTES:**
- LEAD MATERIAL: 99.99% PURE SILVER .005 [.127] THICK.
 - SEE 90° APPLICATION NOTE FOR FURTHER INFORMATION.
 - RoHS COMPLIANT.
 - DATA AND SPECIFICATIONS APPLY WHEN PART IS MOUNTED IN IPP TEST FIXTURE TF-1001. TEST FIXTURE CONFIGURATION/FOOTPRINT AVAILABLE ON REQUEST.

PORT CONFIGURATION				
INPUT	J1	J2	J3	J4
J1	---	ISOLATION	-3dB<0 DEG	-3dB<-90 DEG
J2	ISOLATION	---	-3dB<-90 DEG	-3dB<0 DEG
J3	-3dB<0 DEG	-3dB<-90 DEG	---	ISOLATION
J4	-3dB<-90 DEG	-3dB<0 DEG	ISOLATION	---

MATERIAL	DWN DG	DATE 12/05	Innovative Power Products
AL. ALLOY, 6061-T6	ENG TJD	DATE 12/05	
FINISH	MANUF TP	DATE 12/05	TITLE
CHEM FILM CLEAR PER MIL-DTL-5541, TYPE 2, REV F, CLASS 3 ROHS COMPLIANT			OUTLINE, COUP., 90°, .5 - 2.5 GHz. 150W
TOLERANCE	CAGE CODE: 437R2		P/N
.XX $\pm .02$ [.50] .XXX $\pm .005$ [.127] ANG. $\pm 1/2^\circ$	SHEET OF 1 1	SCALE 2:1	IPP-2013
			REV. F