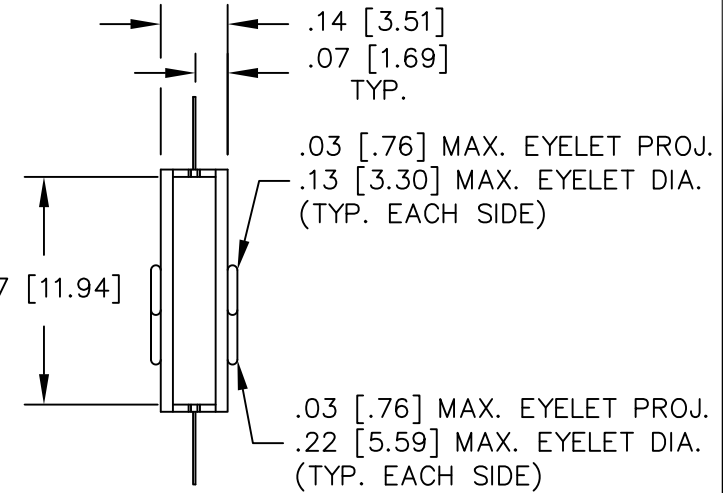
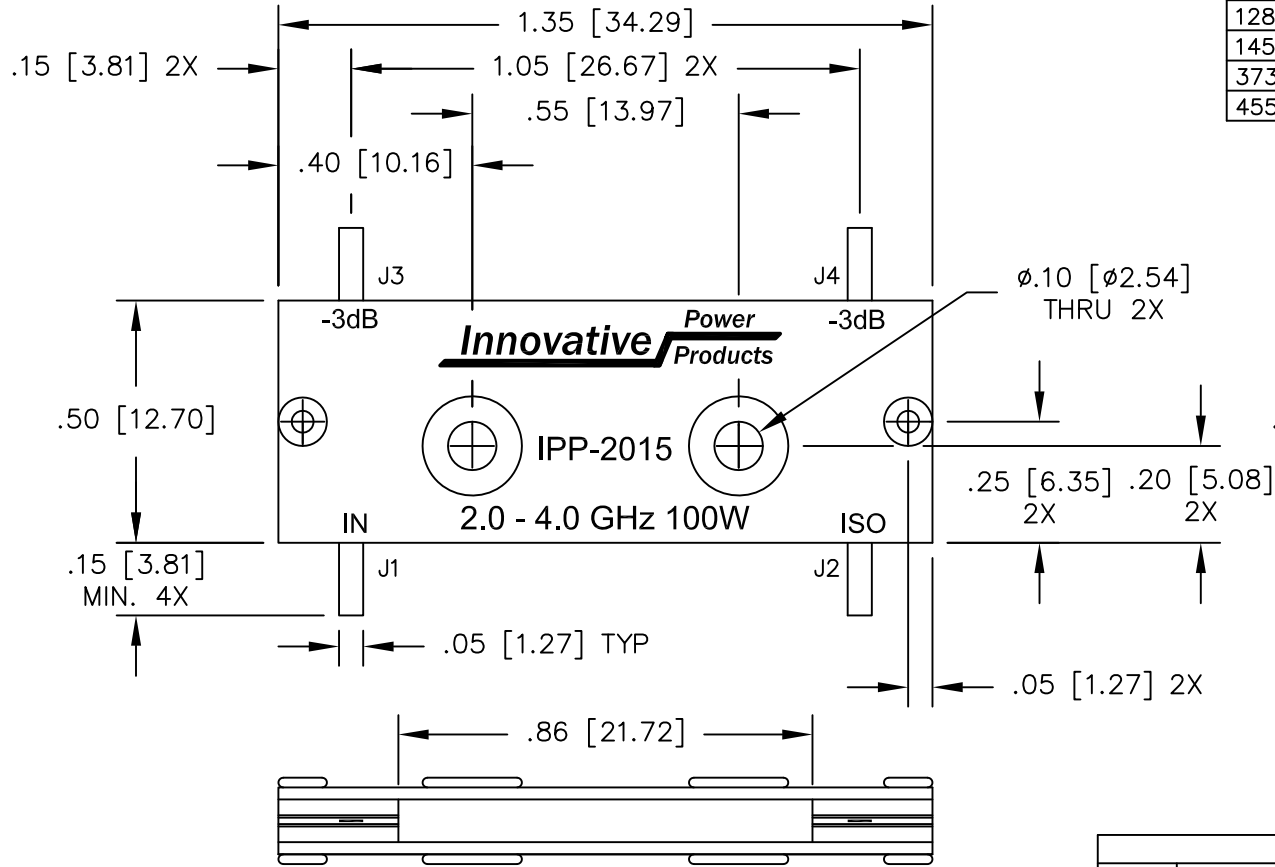


UNAUTHORIZED USE OF THIS
DRAWING IS STRICTLY PROHIBITED

DAR	REV	DESCRIPTION	APPVD	DATE
1044	A	INITIAL RELEASE	TJD	12-05
1114	B	ADD GROUND WRAPS	TJD	5-06
1282	C	CHANGE POWER FROM 200W TO 100W	TJD	4-07
1453	D	REVISE SPECIFICATIONS	DG	6-08
3739	E	SEE DAR	DG	6-12
4552	F	SEE DAR	DG	9-13



ELECTRICAL SPECIFICATIONS

NOTES:

- LEAD MATERIAL: 99.99% PURE SILVER .005 [.127] THICK.
- SEE 90° APPLICATION NOTE FOR FURTHER INFORMATION.
- RoHS COMPLIANT.
- DATA AND SPECIFICATIONS APPLY WHEN PART IS MOUNTED IN IPP TEST FIXTURE TF-1000. TEST FIXTURE CONFIGURATION/FOOTPRINT AVAILABLE ON REQUEST.

FREQUENCY:	2.0 - 4.0 GHz.
INSERTION LOSS:	< 0.4 dB
VSWR:	< 1.25:1
ISOLATION:	> 18 dB
AMPLITUDE BALANCE:	±0.50 dB
PHASE BALANCE:	±5°
POWER:	100 WATT
TEMPERATURE:	-55°C TO 85°C

PORT CONFIGURATION				
INPUT	J1	J2	J3	J4
J1	---	ISOLATION	-3dB<0 DEG	-3dB<-90 DEG
J2	ISOLATION	---	-3dB<-90 DEG	-3dB<0 DEG
J3	-3dB<0 DEG	-3dB<-90 DEG	---	ISOLATION
J4	-3dB<-90 DEG	-3dB<0 DEG	ISOLATION	---

MATERIAL	DWN DG	DATE 12/05	Innovative Power Products	
AL. ALLOY, 6061-T6	ENG TJD	DATE 12/05		
FINISH	MANUF TP	DATE 12/05	TITLE	
CHEM FILM CLEAR PER MIL-DTL-5541, TYPE 2, REV F, CLASS 3 ROHS COMPLIANT			OUTLINE, COUP., 90°, 2.0 - 4.0 GHz. 100W	
TOLERANCE	CAGE CODE: 437R2		SIZE	P/N
IN [MM]	SHEET 1 OF 1	SCALE 4:1	B	IPP-2015
.XX ±.02 [.50] .XXX ±.005 [.127] ANG. ±1/2°				REV. F