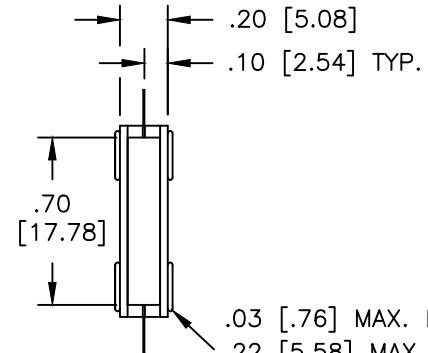
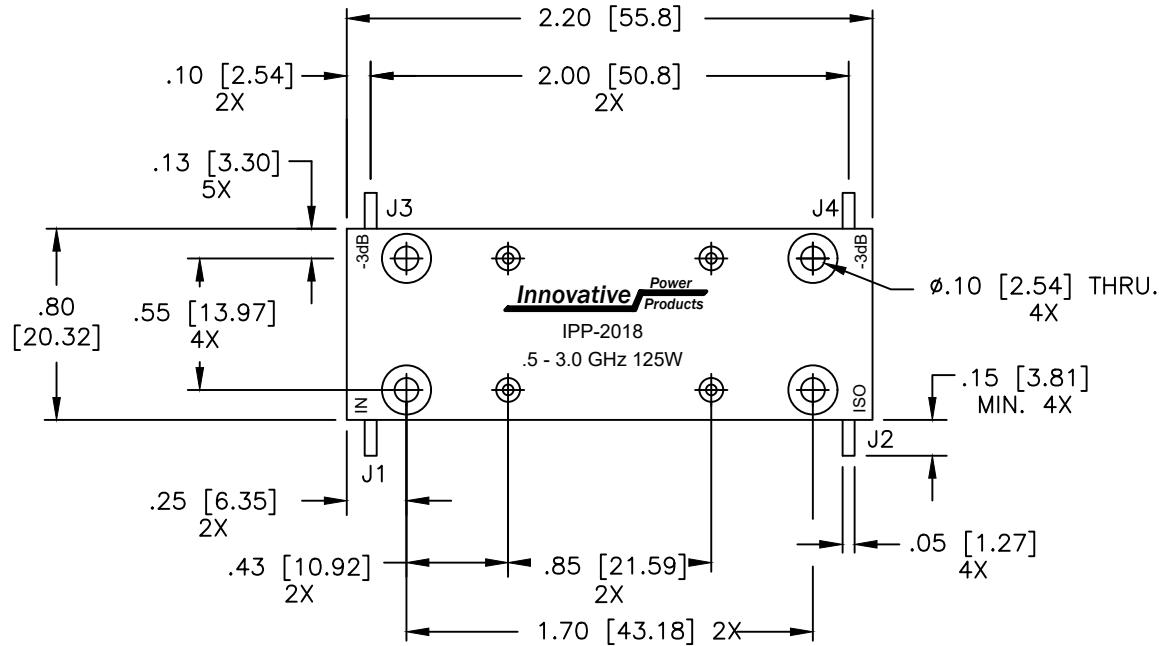


UNAUTHORIZED USE OF THIS
DRAWING IS STRICTLY PROHIBITED

DAR	REV	DESCRIPTION	APPVD	DATE
4806	D	SEE DAR	DG	2-14
5890	E	SEE DAR	DG	11-15
9188	F	SEE DAR	DG	2-23



.03 [0.76] MAX. EYELET PROJECTION
.22 [5.58] MAX. EYELET DIA.
(4X EACH SIDE, LARGE EYELETS)
.03 [0.76] MAX. EYELET PROJECTION
.12 [3.05] MAX. EYELET DIA.
(4X EACH SIDE, SMALL EYELETS)

ELECTRICAL SPECIFICATIONS

FREQUENCY: 0.5 - 3.0 GHz.
INSERTION LOSS: < 0.60 dB
VSWR: < 1.30:1
ISOLATION: > 18 dB
AMPLITUDE BALANCE: ±0.80 dB
PHASE BALANCE: ±5°
POWER: 125 WATT
TEMPERATURE: -55°C TO 85°C

NOTES:

- LEAD MATERIAL: 99.99% PURE SILVER
.005 [0.127] THICK.
- SEE 90° APPLICATION NOTE FOR FURTHER INFORMATION.
- RoHS COMPLIANT.
- DATA AND SPECIFICATIONS APPLY WHEN PART IS MOUNTED IN IPP TEST FIXTURE TF-1001. TEST FIXTURE CONFIGURATION/FOOTPRINT AVAILABLE ON REQUEST.

INPUT	PORT CONFIGURATION			
	J1	J2	J3	J4
J1	---	ISOLATION	-3dB<0 DEG	-3dB<-90 DEG
J2	ISOLATION	---	-3dB<-90 DEG	-3dB<0 DEG
J3	-3dB<0 DEG	-3dB<-90 DEG	---	ISOLATION
J4	-3dB<-90 DEG	-3dB<0 DEG	ISOLATION	---

MATERIAL AL. ALLOY, 6061-T6	DWN	DG	DATE	2-06	Innovative Power Products
	ENG	TJD	DATE	2-06	
FINISH CHEM FILM CLEAR PER MIL-DTL-5541, TYPE 2, REV F, CLASS 3 ROHS COMPLIANT	MANUF	TP	DATE	2-06	
TOLERANCE .XX ±.02 [.50] .XXX ±.005 [.127] ANG. ±1/2°	CAGE CODE: 437R2			TITLE OUTLINE, COUP., 90°, .5 - 3.0 GHz. 125W	
	SHEET	OF	SCALE	P/N IPP-2018	
	1	1	2:1	REV. F	