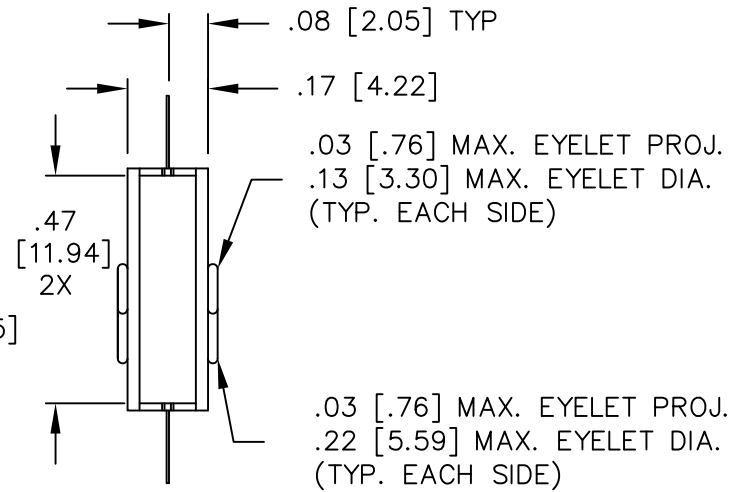
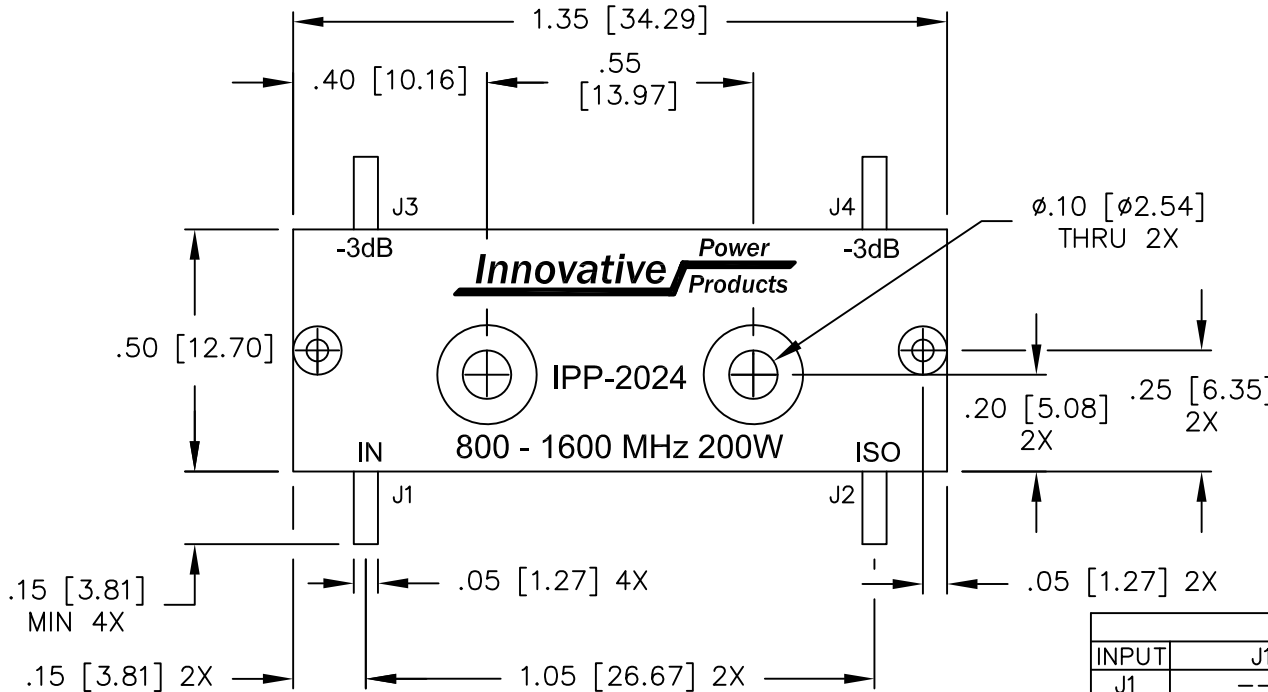
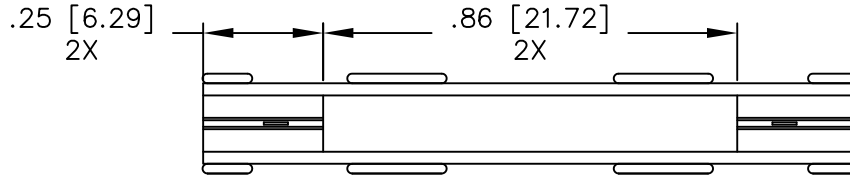


UNAUTHORIZED USE OF THIS
DRAWING IS STRICTLY PROHIBITED

DAR	REV	DESCRIPTION	APPVD	DATE
1062	A	INITIAL RELEASE	TJD	2-06
1453	B	REVISE SPECIFICATIONS	DG	6-08
1678	C	REVISE DIMS	DG	1-09
1739	D	SEE DAR	DG	2-09
1832	E	SEE DAR	DG	4-09
3739	F	SEE DAR	DG	6-12
4552	G	SEE DAR	DG	9-13



ELECTRICAL SPECIFICATIONS

- NOTES:**
- LEAD MATERIAL: 99.99% PURE SILVER .005 [.127] THICK.
 - SEE 90° APPLICATION NOTE FOR FURTHER INFORMATION.
 - RoHS COMPLIANT.
 - DATA AND SPECIFICATIONS APPLY WHEN PART IS MOUNTED IN IPP TEST FIXTURE TF-1078. TEST FIXTURE CONFIGURATION/FOOTPRINT AVAILABLE ON REQUEST.
- | | |
|--------------------|-----------------|
| FREQUENCY: | 800 - 1600 MHz. |
| INSERTION LOSS: | < 0.25 dB |
| VSWR: | < 1.25:1 |
| ISOLATION: | > 20 dB |
| AMPLITUDE BALANCE: | ±0.50 dB |
| PHASE BALANCE: | ±5° |
| POWER: | 200 WATT |
| TEMPERATURE: | -55°C TO 85°C |

PORT CONFIGURATION				
INPUT	J1	J2	J3	J4
J1	---	ISOLATION	-3dB<0 DEG	-3dB<-90 DEG
J2	ISOLATION	---	-3dB<-90 DEG	-3dB<0 DEG
J3	-3dB<0 DEG	-3dB<-90 DEG	---	ISOLATION
J4	-3dB<-90 DEG	-3dB<0 DEG	ISOLATION	---

MATERIAL AL. ALLOY, 6061-T6	DWN	DG	DATE	2-06	Innovative Power Products	
	ENG	TJD	DATE	2-06		
FINISH CHEM FILM, CLEAR, PER MIL-DTL-5541, TYPE 2, REV. F, CLASS 3 (ROHS COMPLIANT)	MANUF	TP	DATE	2-06	TITLE OUTLINE, COUPLER 90°, 800 - 1600 MHz. 200W	
	CAGE CODE: 437R2					
TOLERANCE	.xx ±.02 [.50]	SHEET OF 1 1	SCALE 4:1	SIZE	P/N IPP-2024	REV. G
IN [MM]	.xxx ±.005 [.127] ANG. ±1/2°					