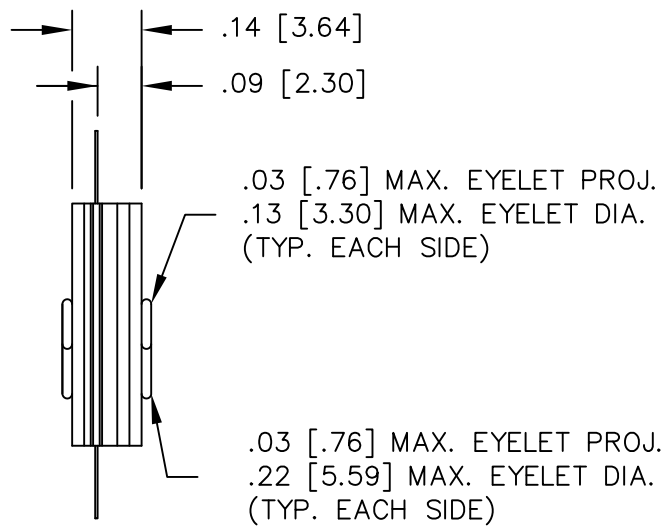
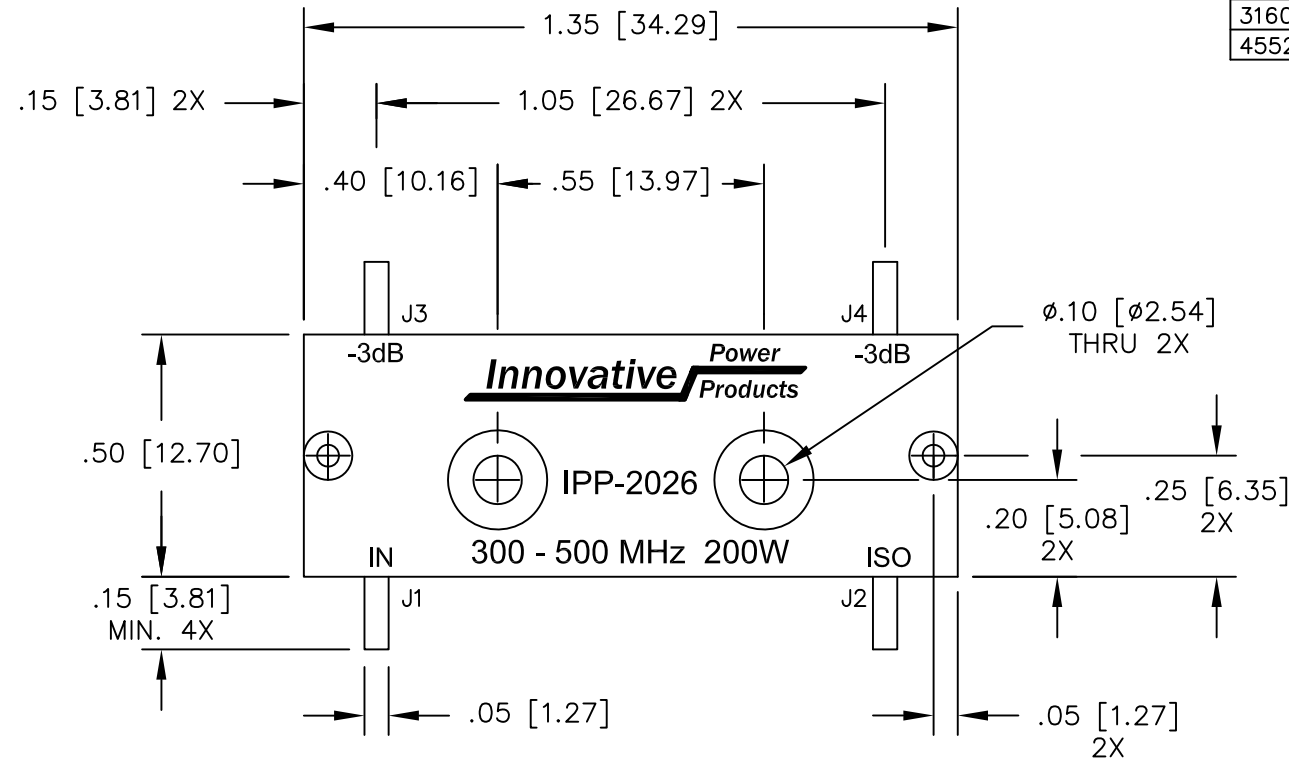


UNAUTHORIZED USE OF THIS
DRAWING IS STRICTLY PROHIBITED

DAR	REV	DESCRIPTION	APPVD	DATE
1065	A	INITIAL RELEASE	TJD	2-06
1453	B	REVISED SPECIFICATIONS	TJD	5-08
1471	C	REVISED THICKNESS	DG	6-08
3160	D	SEE DAR	TJD	6-11
4552	E	SEE DAR	DG	9-13



ELECTRICAL SPECIFICATIONS

FREQUENCY:	300 - 500 MHz.
INSERTION LOSS:	< 0.25 dB
VSWR:	< 1.25:1
ISOLATION:	> 20 dB
AMPLITUDE BALANCE:	±0.40 dB
PHASE BALANCE:	±5°
POWER:	200 WATT
TEMPERATURE:	-55°C TO 85°C

- NOTES:**
1. LEAD MATERIAL: 99.99% PURE SILVER .005 [.127] THICK.
 2. SEE 90° APPLICATION NOTE FOR FURTHER INFORMATION.
 3. RoHS COMPLIANT.
 4. DATA AND SPECIFICATIONS APPLY WHEN PART IS MOUNTED IN IPP TEST FIXTURE TF-1007. TEST FIXTURE CONFIGURATION/FOOTPRINT AVAILABLE ON REQUEST.

PORT CONFIGURATION				
INPUT	J1	J2	J3	J4
J1	---	ISOLATION	-3dB<0 DEG	-3dB<-90 DEG
J2	ISOLATION	---	-3dB<-90 DEG	-3dB<0 DEG
J3	-3dB<0 DEG	-3dB<-90 DEG	---	ISOLATION
J4	-3dB<-90 DEG	-3dB<0 DEG	ISOLATION	---

MATERIAL AL. ALLOY, 6061-T6	DWN	DG	DATE	2/06	Innovative Power Products		
	ENG	TJD	DATE	2/06			
FINISH CHEM FILM, CLEAR, PER MIL-DTL-5541, TYPE 2, REV. F, CLASS 3 (ROHS COMPLIANT)	MANUF	TP	DATE	2/06	TITLE OUTLINE, COUP., 90°, 300 - 500 MHz, 200W		
	CAGE CODE: 437R2						
TOLERANCE	SHEET OF		SCALE		SIZE	P/N	REV.
IN [MM]	1	1	4:1		B	IPP-2026	E