

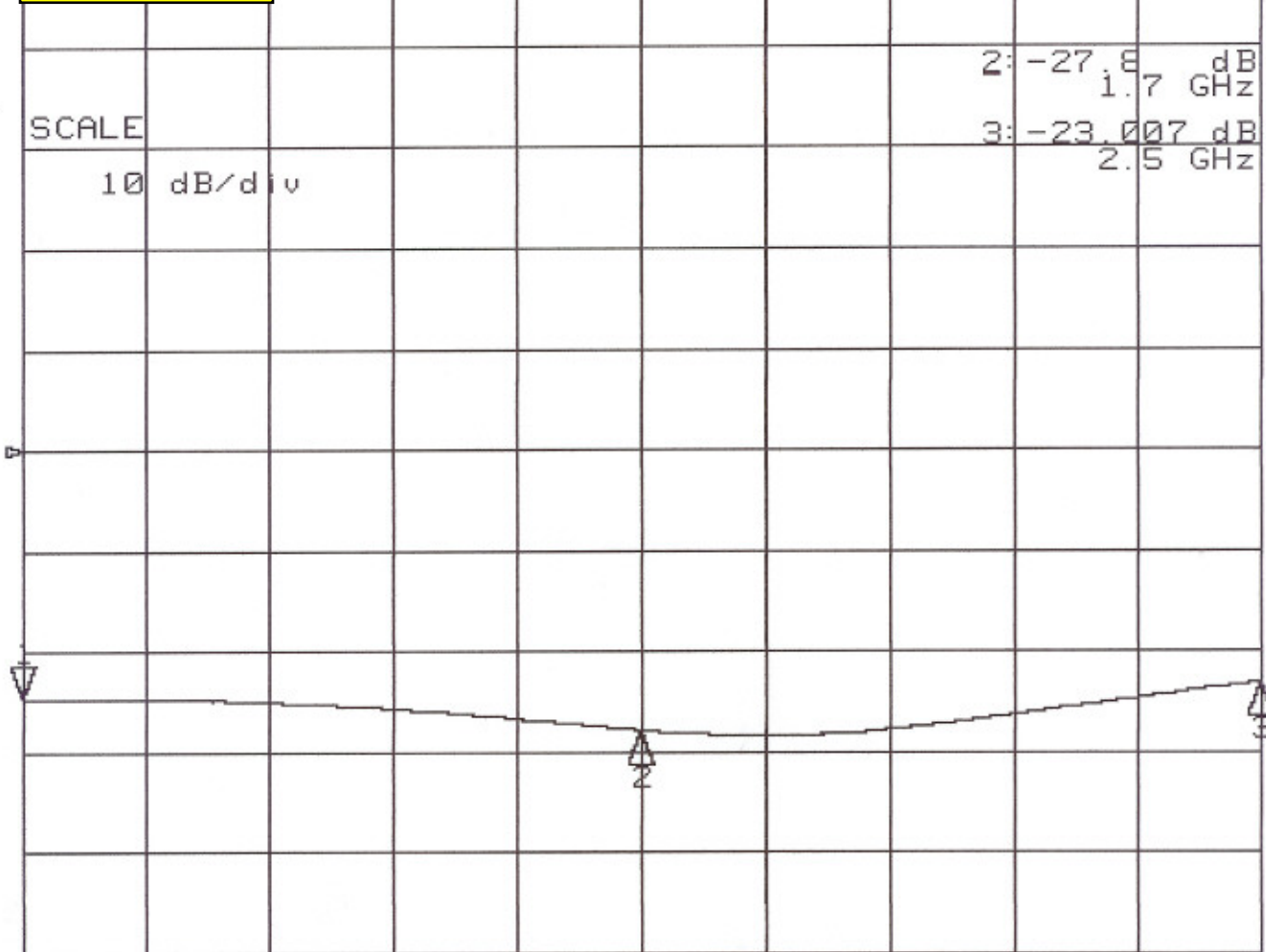
CH1 S<sub>11</sub> log MAG 10 dB/ REF 0 dB 1: -24.693 dB

IPP-2033 VSWR 900.000 000 MHz

2: -27.8 dB  
1.7 GHz

3: -23.007 dB  
2.5 GHz

SCALE  
10 dB/div



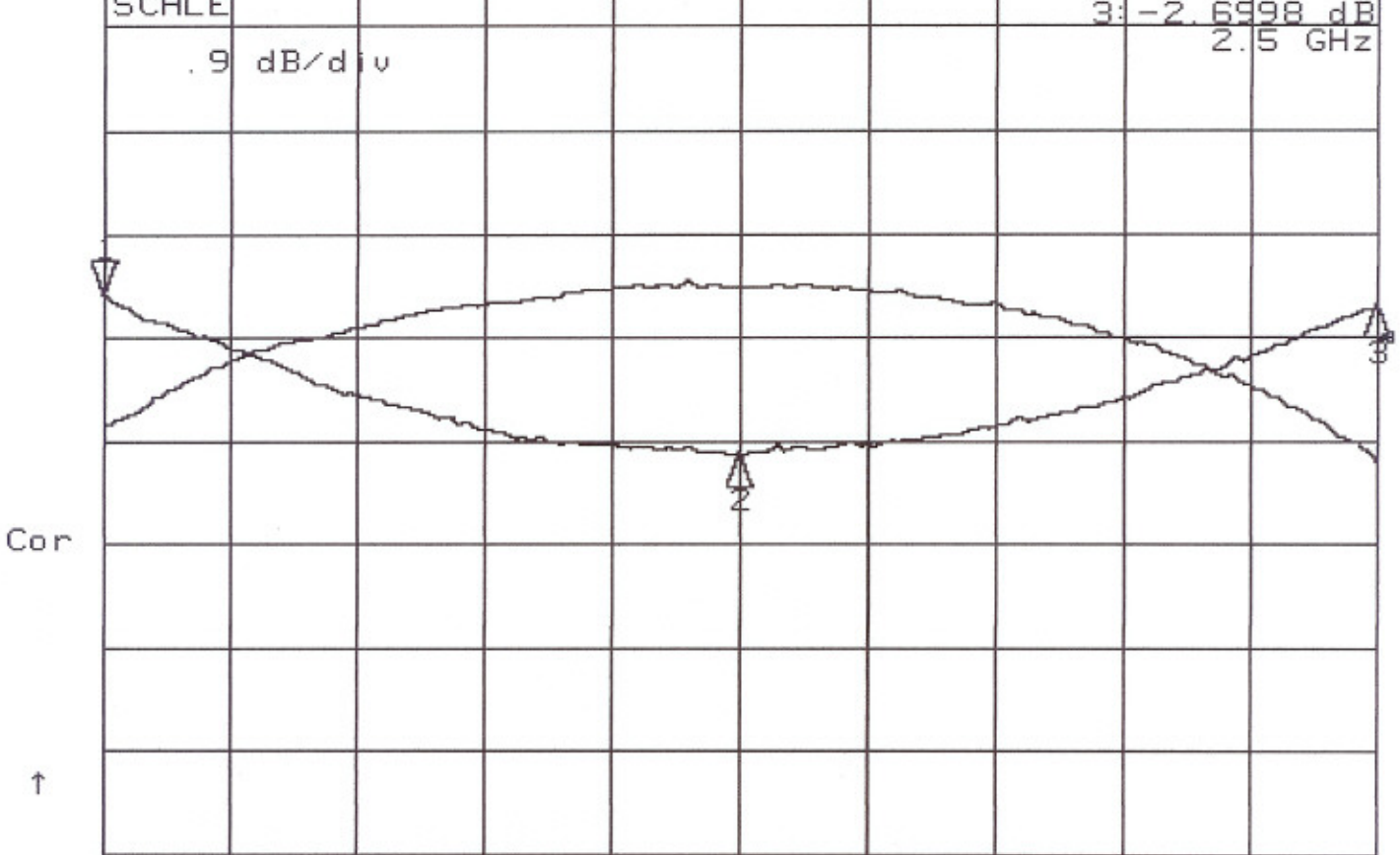
START 900.000 000 MHz STOP 2 500.000 000 MHz

CH2 S<sub>21</sub>&M log MAG .9 dB/ REF -3 dB 1: -2.6321 dB

IPP-2033 Amp. Bal 900.000 000 MHz

SCALE 2: -3.9901 dB  
1.7 GHz

.9 dB/div 3: -2.6998 dB  
2.5 GHz



START 900.000 000 MHz STOP 2 500.000 000 MHz

CH2 S21 log MAG 10 dB/ REF 0 dB 1: -24.876 dB

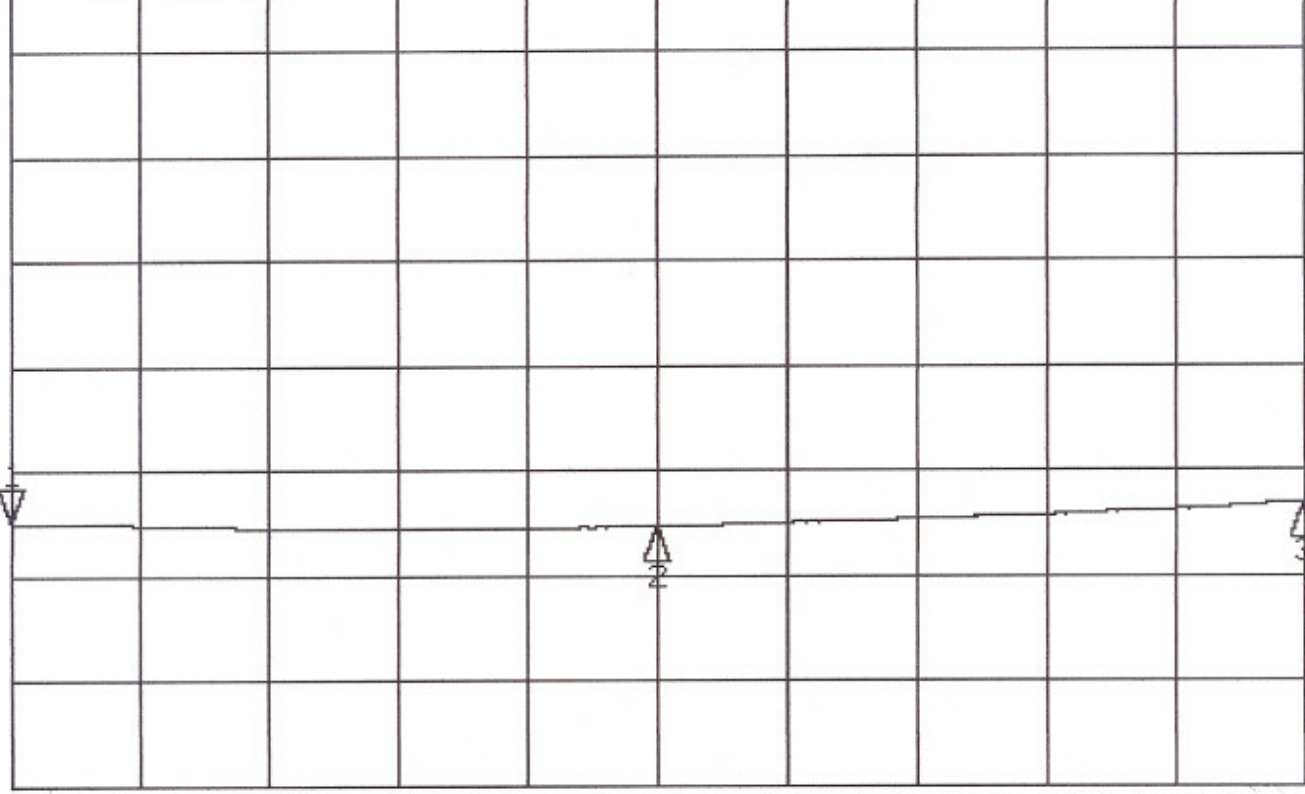
IPP-2033 Isolation 900.000 000 MHz

SCALE 2: -25.218 dB  
1.7 GHz

3: -22.91 dB  
2.5 GHz

10 dB/div

Cor



START 900.000 000 MHz STOP 2 500.000 000 MHz

↑

CH2 S<sub>21</sub>/M phase

5 °/ REF -90 °

3: -91.167 °

IPP-2033 Phase

2 500.000 000 MHz

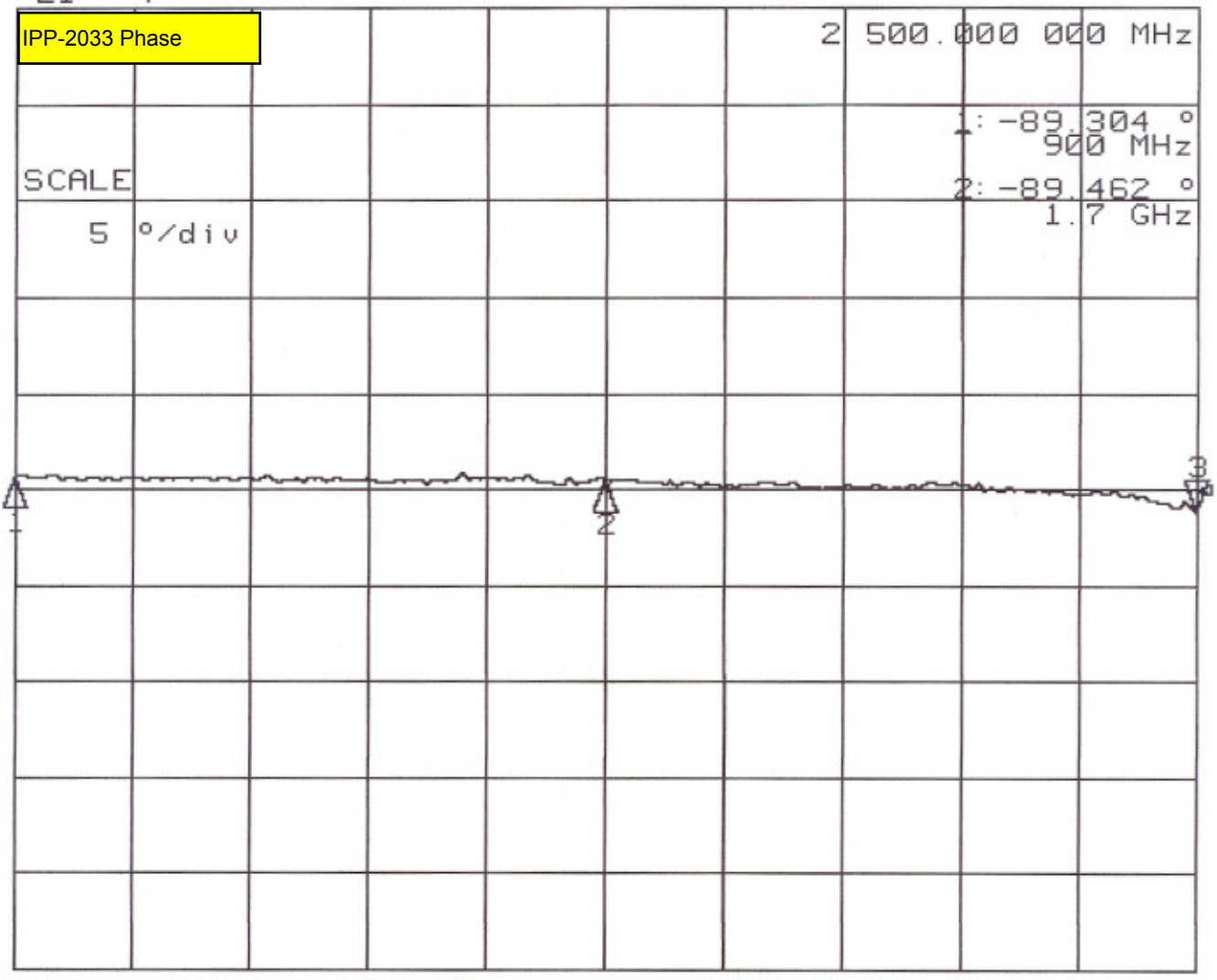
SCALE

5 °/div

1: -89.304 °  
900 MHz

2: -89.462 °  
1.7 GHz

Cor



START 900.000 000 MHz

STOP 2 500.000 000 MHz