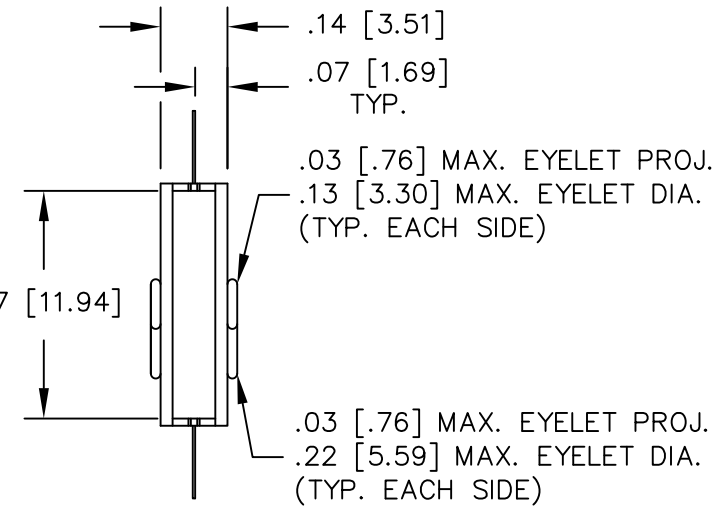
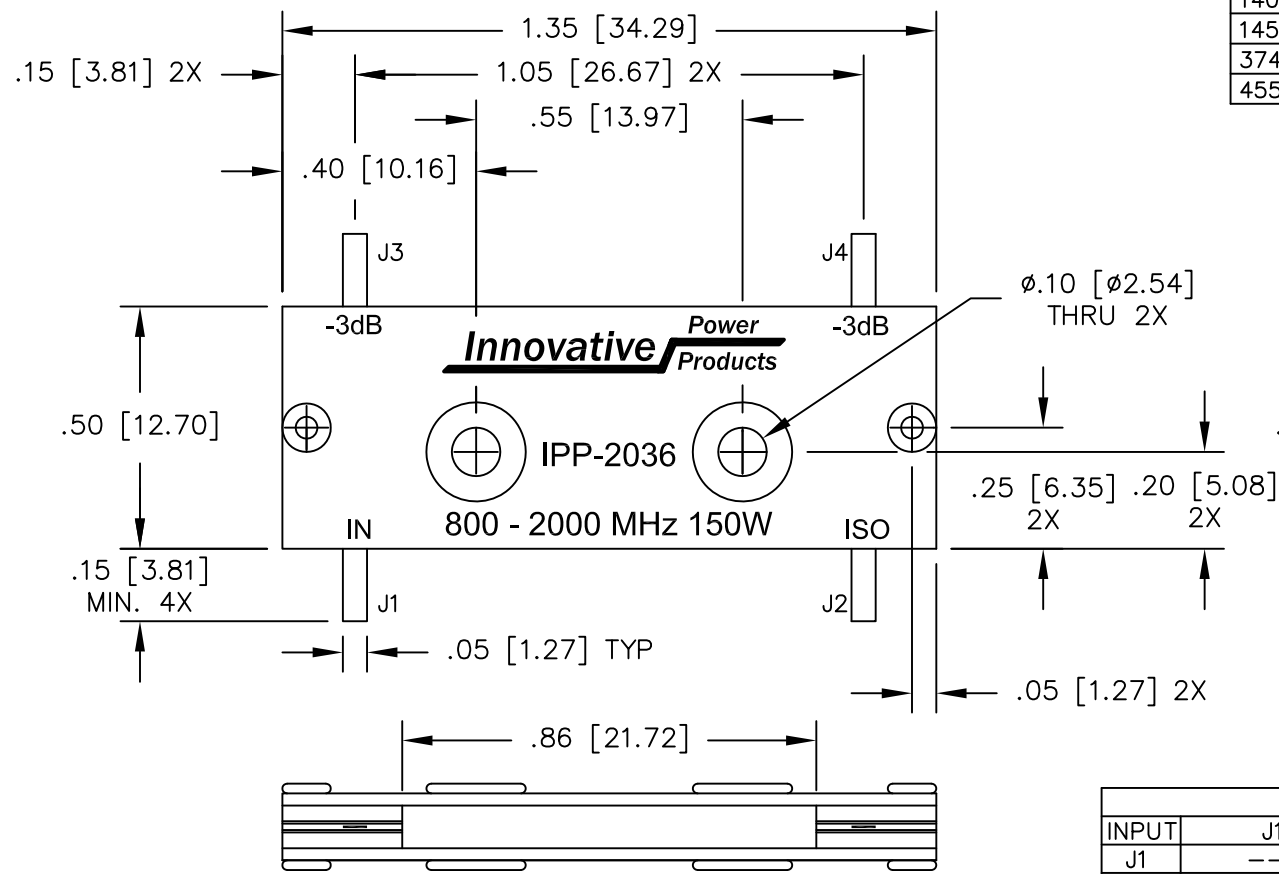


UNAUTHORIZED USE OF THIS  
DRAWING IS STRICTLY PROHIBITED

DAR	REV	DESCRIPTION	APPVD	DATE
1094	A	INITIAL RELEASE	TJD	4-06
1123	B	ADD GROUND WRAPS	TJD	5-06
1197	C	REMOVE LONG GROUND WRAP	TJD	9-06
1403	D	POWER RATING WAS 200 WATTS	DG	2-08
1453	E	REVISE SPECIFICATIONS	DG	6-08
3744	F	SEE DAR	DG	6-12
4556	G	SEE DAR	DG	9-13



**ELECTRICAL SPECIFICATIONS**

- NOTES:**
- LEAD MATERIAL: 99.99% PURE SILVER .005 [.127] THICK.
  - SEE 90° APPLICATION NOTE FOR FURTHER INFORMATION.
  - RoHS COMPLIANT.
  - DATA AND SPECIFICATIONS APPLY WHEN PART IS MOUNTED IN IPP TEST FIXTURE TF-1000. TEST FIXTURE CONFIGURATION/FOOTPRINT AVAILABLE ON REQUEST.
- FREQUENCY: 800 - 2000 MHz.  
 INSERTION LOSS: < 0.25 dB  
 VSWR: < 1.25:1  
 ISOLATION: > 19 dB  
 AMPLITUDE BALANCE: ±0.65 dB  
 PHASE BALANCE: ±5°  
 POWER: 150 WATT  
 TEMPERATURE: -55°C TO 85°C

PORT CONFIGURATION				
INPUT	J1	J2	J3	J4
J1	---	ISOLATION	-3dB<0 DEG	-3dB<-90 DEG
J2	ISOLATION	---	-3dB<-90 DEG	-3dB<0 DEG
J3	-3dB<0 DEG	-3dB<-90 DEG	---	ISOLATION
J4	-3dB<-90 DEG	-3dB<0 DEG	ISOLATION	---

MATERIAL AL. ALLOY, 6061-T6	DWN	DG	DATE	4-06	<b>Innovative Power Products</b>
	ENG	TJD	DATE	4-06	
FINISH CHEM FILM CLEAR PER MIL-DTL-5541, TYPE 2, REV F, CLASS 3 ROHS COMPLIANT	MANUF	TP	DATE	4-06	TITLE OUTLINE, COUP., 90°, 800 - 2000 MHz. 150W
	CAGE CODE: 437R2				
TOLERANCE	.xx ±.02 [.50]	SHEET	OF	SCALE	SIZE
IN [MM]	.xxx ±.005 [.127]	1	1	4:1	P/N
	ANG. ±1/2°				IPP-2036
					REV. G