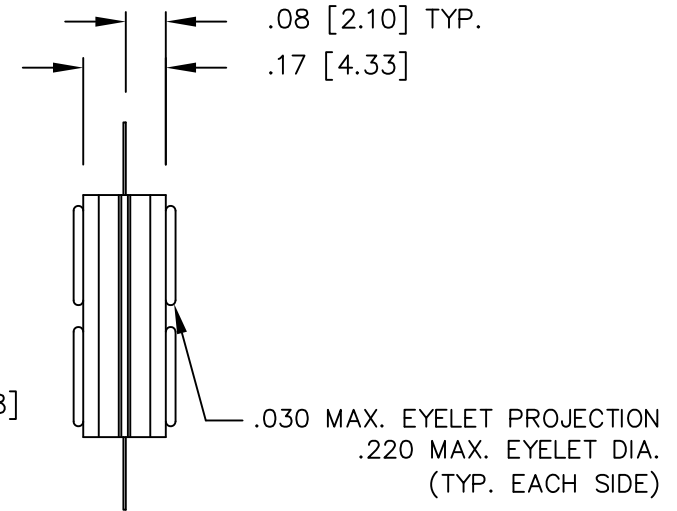
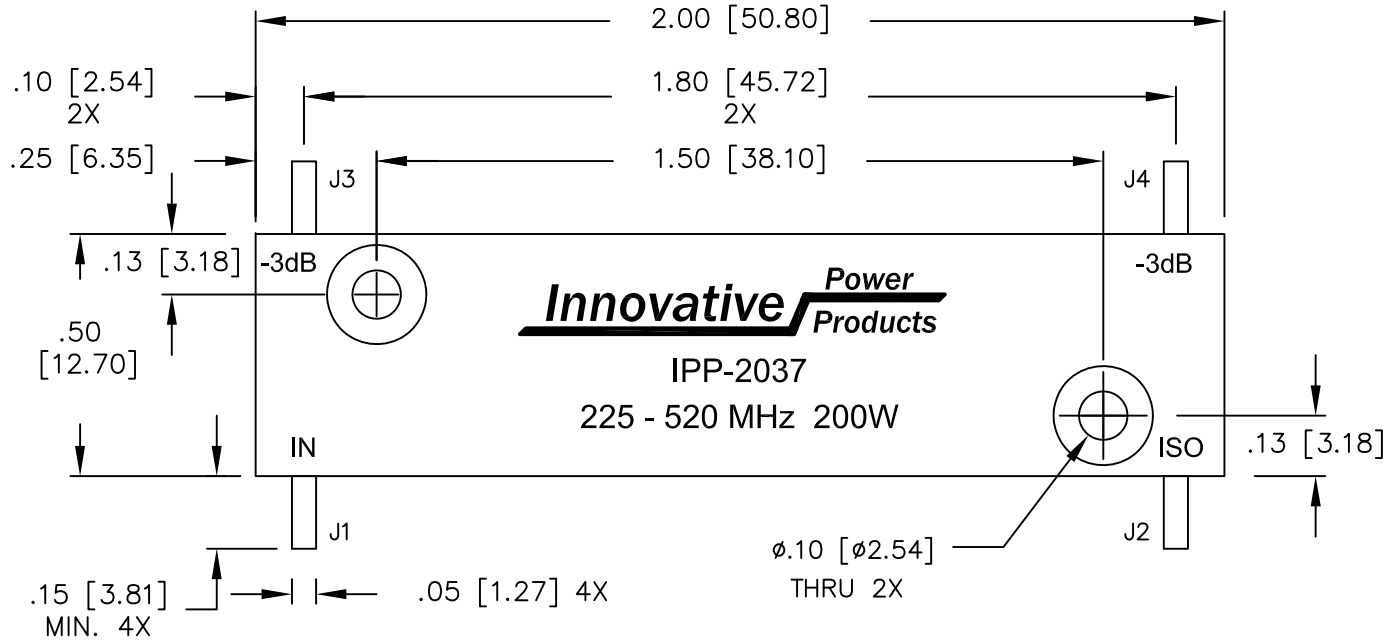
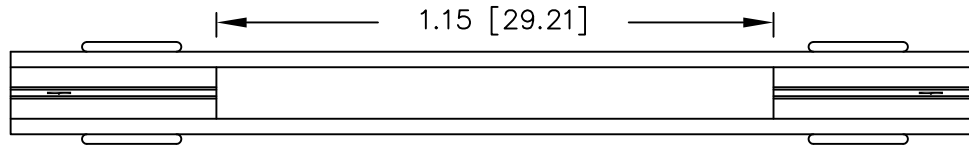


UNAUTHORIZED USE OF THIS
DRAWING IS STRICTLY PROHIBITED

DAR	REV	DESCRIPTION	APPVD	DATE
1098	A	INITIAL RELEASE	TJD	5-06
1453	B	REVISED SPECIFICATIONS	TJD	5-08
2100	C	SEE DAR	DG	10-09
4556	D	SEE DAR	DG	9-13
5177	E	SEE DAR	DG	9-14



Innovative Power Products
IPP-2037
 225 - 520 MHz 200W

PORT CONFIGURATION				
INPUT	J1	J2	J3	J4
J1	---	ISOLATION	-3dB<0 DEG	-3dB<-90 DEG
J2	ISOLATION	---	-3dB<-90 DEG	-3dB<0 DEG
J3	-3dB<0 DEG	-3dB<-90 DEG	---	ISOLATION
J4	-3dB<-90 DEG	-3dB<0 DEG	ISOLATION	---

ELECTRICAL SPECIFICATIONS

- NOTES:**
- LEAD MATERIAL: 99.99% PURE SILVER .005 [.127] THICK.
 - SEE 90° APPLICATION NOTE FOR FURTHER INFORMATION.
 - RoHS COMPLIANT.
 - DATA AND SPECIFICATIONS APPLY WHEN PART IS MOUNTED IN IPP TEST FIXTURE TF-1003. TEST FIXTURE CONFIGURATION/FOOTPRINT AVAILABLE ON REQUEST.
- FREQUENCY: 225 - 520 MHz.
 INSERTION LOSS: < 0.25 dB
 VSWR: < 1.25:1
 ISOLATION: > 20 dB
 AMPLITUDE BALANCE: ±0.70 dB
 PHASE BALANCE: ±5°
 POWER: 200 WATT
 TEMPERATURE: -55°C TO 85°C

MATERIAL AL. ALLOY, 6061-T6	DWN	DG	DATE	3-06	Innovative Power Products
	ENG	TJD	DATE	3-06	
FINISH CHEM FILM CLEAR PER MIL-DTL-5541, TYPE 2, REV F, CLASS 3 ROHS COMPLIANT	MANUF	TP	DATE	3-06	TITLE OUTLINE, COUP., 90°, 225 - 520 MHz. 200W
	CAGE CODE: 437R2				
TOLERANCE	.xx ±.02 [.50]	SHEET	OF	SCALE	SIZE
IN [MM]	.xxx ±.005 [.127]	1	1	4:1	P/N
	ANG. ±1/2°				IPP-2037
					REV. E