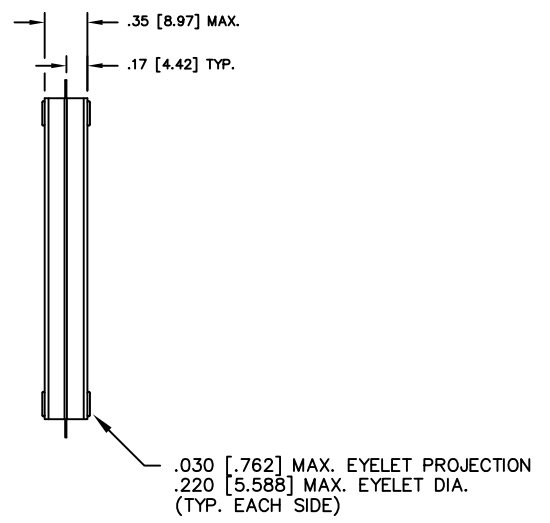
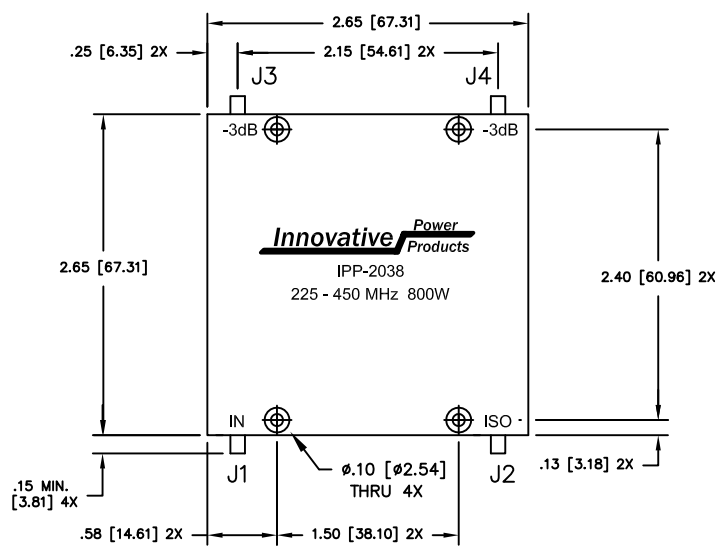


UNAUTHORIZED USE OF THIS
DRAWING IS STRICTLY PROHIBITED

DAR	REV	DESCRIPTION	APPVD	DATE
1108	A	INITIAL RELEASE	TJD	5-06
1453	B	REVISED SPECIFICATIONS	DG	5-08
4673	C	SEE DAR	DG	11-13



- NOTES:**
- LEAD MATERIAL: 99.99% PURE SILVER
.120 [3.048] WIDE X .005 [.127]
THICK.
 - SEE 90° APPLICATION NOTE FOR
FURTHER INFORMATION.
 - RoHS COMPLIANT.
 - DATA AND SPECIFICATIONS APPLY
WHEN PART IS MOUNTED IN IPP TEST
FIXTURE TF-1052. TEST FIXTURE
CONFIGURATION/FOOTPRINT AVAILABLE
ON REQUEST.

ELECTRICAL SPECIFICATIONS

FREQUENCY:	225 - 450 MHz.
INSERTION LOSS:	< 0.20 dB
VSWR:	< 1.25:1
ISOLATION:	> 20 dB
AMPLITUDE BALANCE:	±0.50 dB
PHASE BALANCE:	±5°
POWER:	800 WATT
TEMPERATURE:	-55°C TO 85°C

PORT CONFIGURATION				
INPUT	J1	J2	J3	J4
J1	---	ISOLATION	-3dB<0 DEG	-3dB<-90 DEG
J2	ISOLATION	---	-3dB<-90 DEG	-3dB<0 DEG
J3	-3dB<0 DEG	-3dB<-90 DEG	---	ISOLATION
J4	-3dB<-90 DEG	-3dB<0 DEG	ISOLATION	---

MATERIAL AL. ALLOY, 6061-T6	DWN	DG	DATE	5-06	Innovative Power Products
	ENG	TJD	DATE	5-06	
FINISH CHEM FILM CLEAR PER MIL-DTL-5541, TYPE 2, REV F, CLASS 3 ROHS COMPLIANT	MANUF	TP	DATE	5-06	TITLE OUTLINE, COUP., 90°, 225 - 450 MHz. 800W
	CAGE CODE: 437R2				
TOLERANCE IN [MM]	.xx ±.02 [.50]	SHEET OF 1 1	SCALE	1:1	SIZE B
	.xxx ±.005 [.127] ANG. ±1/2°				P/N IPP-2038
					REV. C