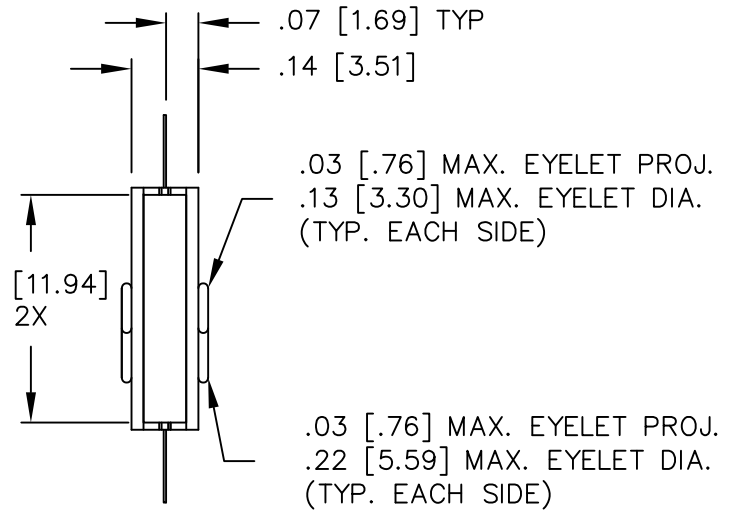
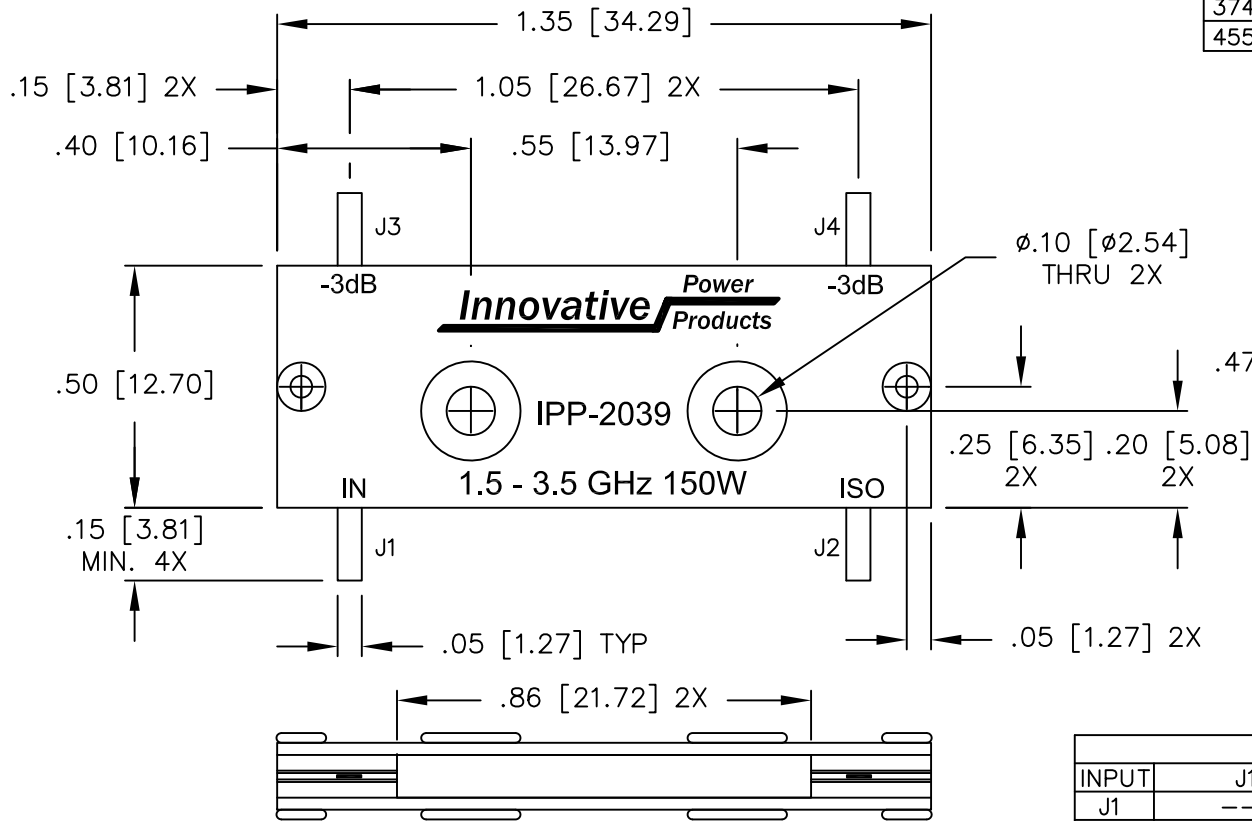


UNAUTHORIZED USE OF THIS
DRAWING IS STRICTLY PROHIBITED

DAR	REV	DESCRIPTION	APPVD	DATE
1107	A	INITIAL RELEASE	TJD	5-06
1139	B	REVISE TO SHOW GROUND WRAPS	TJD	6-06
1282	C	CHANGE POWER FROM 200W TO 150W	TJD	4-07
1453	D	REVISED SPECIFICATIONS	TJD	5-08
2191	E	SEE DAR	DG	12-09
3744	F	SEE DAR	DG	6-12
4556	G	SEE DAR	DG	9-13



- NOTES:**
- LEAD MATERIAL: 99.99% PURE SILVER .005 [.127] THICK.
 - SEE 90° APPLICATION NOTE FOR FURTHER INFORMATION.
 - RoHS COMPLIANT.
 - DATA AND SPECIFICATIONS APPLY WHEN PART IS MOUNTED IN IPP TEST FIXTURE TF-1000. TEST FIXTURE CONFIGURATION/FOOTPRINT AVAILABLE ON REQUEST.

ELECTRICAL SPECIFICATIONS

FREQUENCY:	1.5 - 3.5 GHz.
INSERTION LOSS:	< 0.25 dB
VSWR:	< 1.25:1
ISOLATION:	> 18 dB
AMPLITUDE BALANCE:	±0.60 dB
PHASE BALANCE:	±5°
POWER:	150 WATT
TEMPERATURE:	-55°C TO 85°C

PORT CONFIGURATION

INPUT	J1	J2	J3	J4
J1	---	ISOLATION	-3dB<0 DEG	-3dB<-90 DEG
J2	ISOLATION	---	-3dB<-90 DEG	-3dB<0 DEG
J3	-3dB<0 DEG	-3dB<-90 DEG	---	ISOLATION
J4	-3dB<-90 DEG	-3dB<0 DEG	ISOLATION	---

MATERIAL AL. ALLOY, 6061-T6	DWN	DG	DATE	5-06	Innovative Power Products
	ENG	TJD	DATE	5-06	
FINISH CHEM FILM CLEAR PER MIL-DTL-5541, TYPE 2, REV F, CLASS 3 ROHS COMPLIANT	MANUF	TP	DATE	5-06	TITLE
	CAGE CODE: 437R2			OUTLINE	
TOLERANCE	SHEET OF		SCALE	COUPLER, 90°, 1.5 - 3.5 GHz, 150W	
IN [MM]	1	1	4:1	SIZE	P/N
.xx ±.02 [.50]				B	IPP-2039
.xxx ±.005 [.127]					REV.
ANG. ±1/2°					G