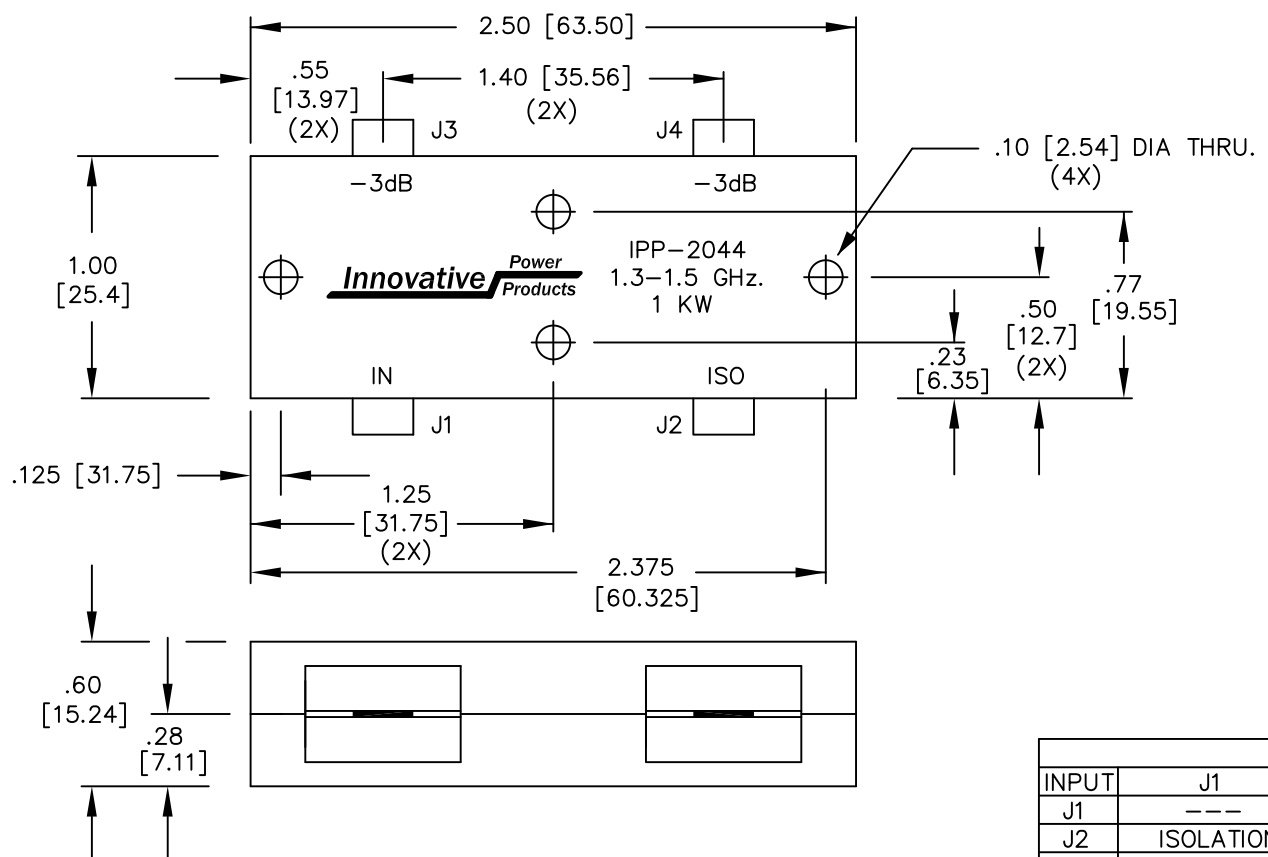


UNAUTHORIZED USE OF THIS
DRAWING IS STRICTLY PROHIBITED

DAR	REV	DESCRIPTION	APPVD	DATE
1139	A	INITIAL RELEASE	TJD	6-06
4556	B	SEE DAR	DG	9-13



ELECTRICAL SPECIFICATIONS

FREQUENCY:	1.3 - 1.5 GHz.
INSERTION LOSS:	< 0.20 dB
VSWR:	< 1.25:1
ISOLATION:	> 18 dB
AMPLITUDE BALANCE:	±0.3 dB
PHASE BALANCE:	±5°
POWER:	1 KW
TEMPERATURE:	-55°C TO 85°C

PORT CONFIGURATION

INPUT	J1	J2	J3	J4
J1	---	ISOLATION	-3dB<0 DEG	-3dB<-90 DEG
J2	ISOLATION	---	-3dB<-90 DEG	-3dB<0 DEG
J3	-3dB<0 DEG	-3dB<-90 DEG	---	ISOLATION
J4	-3dB<-90 DEG	-3dB<0 DEG	ISOLATION	---

- NOTES:**
- LEAD MATERIAL: 99.99% PURE SILVER
.25 [6.35] WIDE X .15 [3.81] MIN.
LONG X .005 [.127] THICK.
 - SEE 90° APPLICATION NOTE FOR FURTHER INFORMATION.
 - RoHS COMPLIANT.
 - DATA AND SPECIFICATIONS APPLY WHEN PART IS MOUNTED IN IPP TEST FIXTURE TF-1008. TEST FIXTURE CONFIGURATION/FOOTPRINT AVAILABLE ON REQUEST.

MATERIAL	DWN DG	DATE 6-06			
AL. ALLOY, 6061-T6	ENG TJD	DATE 6-60			
FINISH CHEM FILM CLEAR PER MIL-DTL-5541, TYPE 2, REV F, CLASS 3 ROHS COMPLIANT	MANUF TP	DATE 6-06			
TOLERANCE	CAGE CODE: 437R2		TITLE OUTLINE		
.xx ±.02 [.50]			1.3 - 1.5 GHz., 1 KW, 90° COUPLER		
IN [MM] .xxx ±.005 [.127]	SHEET OF 1 1	SCALE 2:1	SIZE B	P/N IPP-2044	REV. B
ANG. ±1/2°					