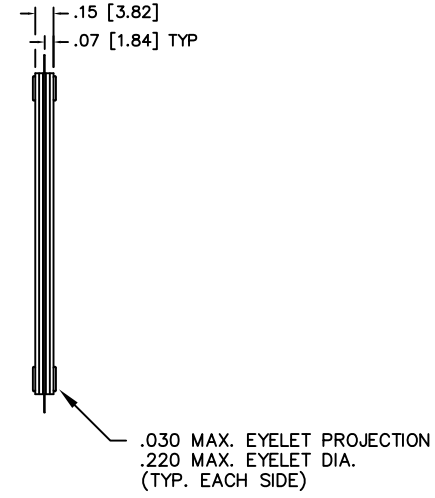
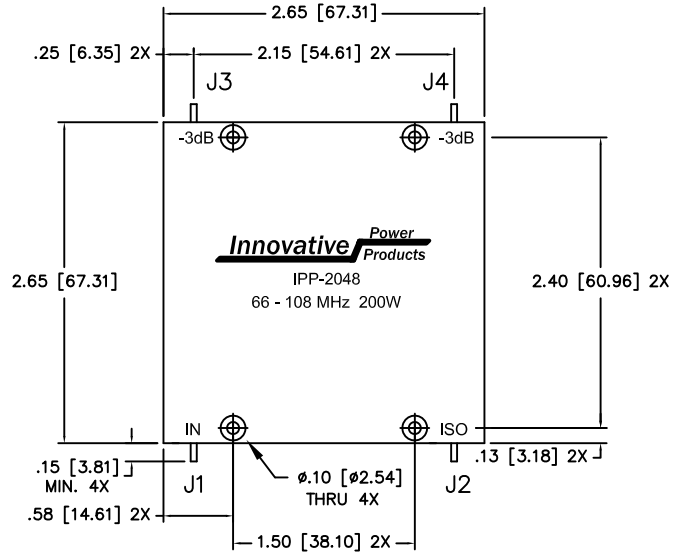


UNAUTHORIZED USE OF THIS
DRAWING IS STRICTLY PROHIBITED

DAR	REV	DESCRIPTION	APPVD	DATE
1108	A	INITIAL RELEASE	TJD	7-06
1358	B	CHANGE LEAD WIDTH FROM .120 TO .050	TJD	7-06
1453	C	REVISED SPECIFICATIONS	TJD	5-08
1577	D	CHANGE LD HEIGHT & HEIGHT DIMS	DG	10-08
4673	E	SEE DAR	DG	11-13



ELECTRICAL SPECIFICATIONS

FREQUENCY:	66 - 108 MHz.
INSERTION LOSS:	< 0.25 dB
VSWR:	< 1.25:1
ISOLATION:	> 20 dB
AMPLITUDE BALANCE:	±0.40 dB
PHASE BALANCE:	±5°
POWER:	200 WATT
TEMPERATURE:	-55°C TO 85°C

- NOTES:**
- LEAD MATERIAL: 99.99% PURE SILVER .050 [1.270] X .005 [.127] THICK. SEE 90° APPLICATION NOTE FOR FURTHER INFORMATION.
 - RoHS COMPLIANT.
 - DATA AND SPECIFICATIONS APPLY WHEN PART IS MOUNTED IN IPP TEST FIXTURE TF-1084. TEST FIXTURE CONFIGURATION/FOOTPRINT AVAILABLE ON REQUEST.

PORT CONFIGURATION				
INPUT	J1	J2	J3	J4
J1	---	ISOLATION	-3dB<0 DEG	-3dB<-90 DEG
J2	ISOLATION	---	-3dB<-90 DEG	-3dB<0 DEG
J3	-3dB<0 DEG	-3dB<-90 DEG	---	ISOLATION
J4	-3dB<-90 DEG	-3dB<0 DEG	ISOLATION	---

MATERIAL	DWN DG	DATE 7-06	Innovative Power Products		
AL. ALLOY, 6061-T6	ENG TJD	DATE 7-06			
FINISH	MANUF TP	DATE 7-06	TITLE		
CHEM FILM CLEAR PER MIL-DTL-5541, TYPE 2, REV F, CLASS 3 ROHS COMPLIANT			OUTLINE, COUP., 90°, 66 - 108 MHz. 200W		
TOLERANCE	CAGE CODE: 437R2		SIZE	P/N	REV.
.xx ±.02 [.50] IN [MM] .xxx ±.005 [.127] ANG. ±1/2°	SHEET 1	OF 1	SCALE 1:1	B	IPP-2048 E