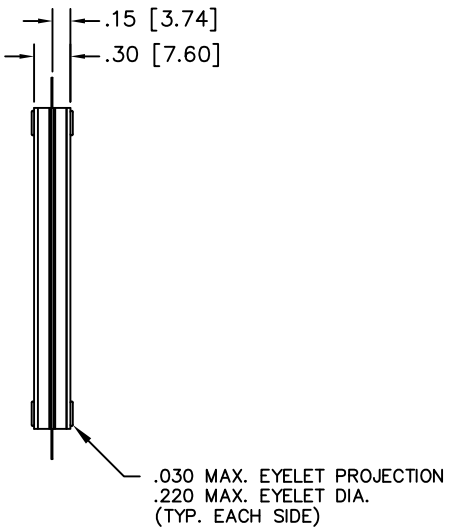
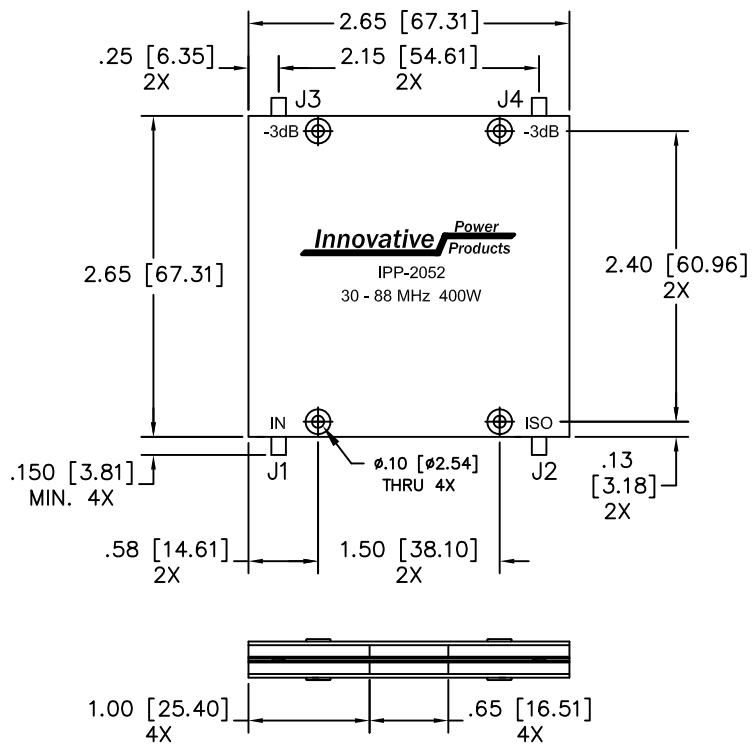


UNAUTHORIZED USE OF THIS
DRAWING IS STRICTLY PROHIBITED

DAR	REV	DESCRIPTION	APPVD	DATE
1164	A	INITIAL RELEASE	TJD	8-06
1210	B	REVISE TO SHOW GROUND WRAPS	TJD	10-06
1453	C	REVISED SPECIFICATIONS	DG	5-08
1632	D	REVISED DIMS	DG	11-08
1742	E	REVISED WRAPS	DG	2-09
4557	F	SEE DAR	DG	9-13



ELECTRICAL SPECIFICATIONS

FREQUENCY:	30-88 MHz.
INSERTION LOSS:	< 0.25 dB
VSWR:	< 1.30:1
ISOLATION:	> 18 dB
AMPLITUDE BALANCE:	±0.95 dB
PHASE BALANCE:	±5°
POWER:	400 WATT
TEMPERATURE:	-55°C TO 85°C

PORT CONFIGURATION				
INPUT	J1	J2	J3	J4
J1	---	ISOLATION	-3dB<0 DEG	-3dB<-90 DEG
J2	ISOLATION	---	-3dB<-90 DEG	-3dB<0 DEG
J3	-3dB<0 DEG	-3dB<-90 DEG	---	ISOLATION
J4	-3dB<-90 DEG	-3dB<0 DEG	ISOLATION	---

- NOTES:**
- LEAD MATERIAL: 99.99% PURE SILVER
.120 [3.05] WIDE X .005 [.127] THICK.
 - SEE 90° APPLICATION NOTE FOR FURTHER INFORMATION.
 - RoHS COMPLIANT.
 - DATA AND SPECIFICATIONS APPLY WHEN PART IS MOUNTED IN IPP TEST FIXTURE TF-1072. TEST FIXTURE CONFIGURATION/FOOTPRINT AVAILABLE ON REQUEST.

MATERIAL	DWN DG	DATE 8-06			
AL. ALLOY, 6061-T6	ENG TJD	DATE 8-06			
FINISH	MANUF TP	DATE 8-06	TITLE		
CHEM FILM, CLEAR, PER MIL-DTL-5541, TYPE 2, REV. F, CLASS 3 (ROHS COMPLIANT)	CAGE CODE: 437R2		OUTLINE, COUP., 90°, 30 - 88 MHz. 400W		
TOLERANCE	SHEET OF	SCALE	SIZE	P/N	REV.
.XX ±.02 [.50] IN [MM] .XXX ±.005 [.127] ANG. ±1/2°	1 1	1:1	B	IPP-2052	F