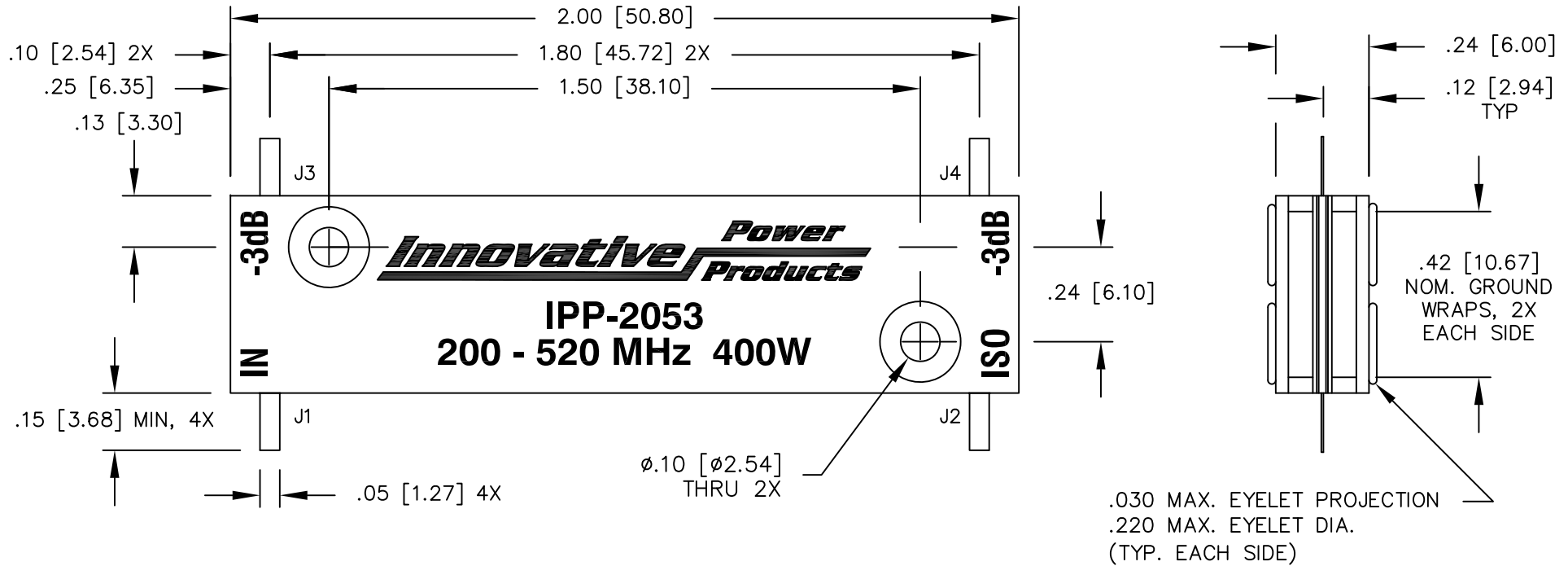


UNAUTHORIZED USE OF THIS
DRAWING IS STRICTLY PROHIBITED

DAR	REV	DESCRIPTION	APPVD	DATE
1756	C	SEE DAR	DG	2-09
4557	D	SEE DAR	DG	9-13
8438	E	SEE DAR	TJD	12-20



ELECTRICAL SPECIFICATIONS

NOTES:

- LEAD MATERIAL: 99.99% PURE SILVER .005 [.127] THICK.
- SEE 90° APPLICATION NOTE FOR FURTHER INFORMATION.
- RoHS COMPLIANT.
- DATA AND SPECIFICATIONS APPLY WHEN PART IS MOUNTED IN IPP TEST FIXTURE TF-1087. TEST FIXTURE CONFIGURATION/FOOTPRINT AVAILABLE ON REQUEST.

FREQUENCY:	200 - 520 MHz.
INSERTION LOSS:	< 0.25 dB
VSWR:	< 1.25:1
ISOLATION:	> 20 dB
AMPLITUDE BALANCE:	±0.75 dB
PHASE BALANCE:	±5°
POWER:	400 WATT
TEMPERATURE:	-55°C TO 85°C

PORT CONFIGURATION				
INPUT	J1	J2	J3	J4
J1	---	ISOLATION	-3dB<0 DEG	-3dB<-90 DEG
J2	ISOLATION	---	-3dB<-90 DEG	-3dB<0 DEG
J3	-3dB<0 DEG	-3dB<-90 DEG	---	ISOLATION
J4	-3dB<-90 DEG	-3dB<0 DEG	ISOLATION	---

MATERIAL	DWN DG	DATE 8-06	Innovative Power Products	
AL. ALLOY, 6061-T6	ENG TJD	DATE 8-06		
FINISH	MANUF TP	DATE 8-06	TITLE	
CHEM FILM, CLEAR, PER MIL-DTL-5541, TYPE 2, REV. F, CLASS 3 (ROHS COMPLIANT)			OUTLINE, COUP., 90°, 200 - 520 MHz. 400W	
TOLERANCE	CAGE CODE: 437R2		SIZE	P/N
.XX ±.02 [.50]	SHEET	SCALE	B	IPP-2053
IN [MM] .XXX ±.005 [.127]	OF 1 1	4:1		REV. E
ANG. ±1/2°				