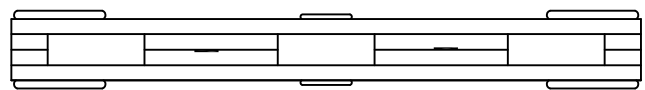
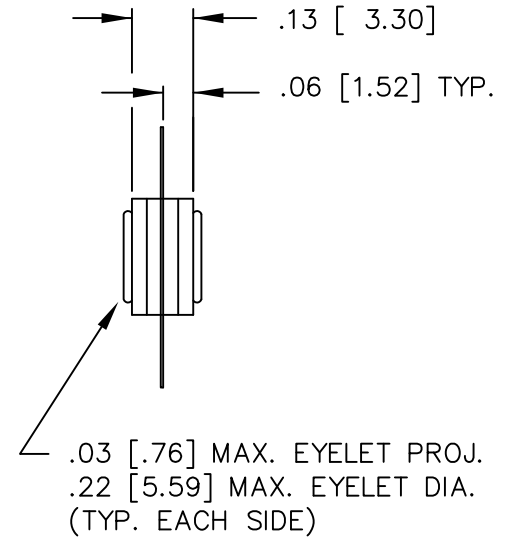
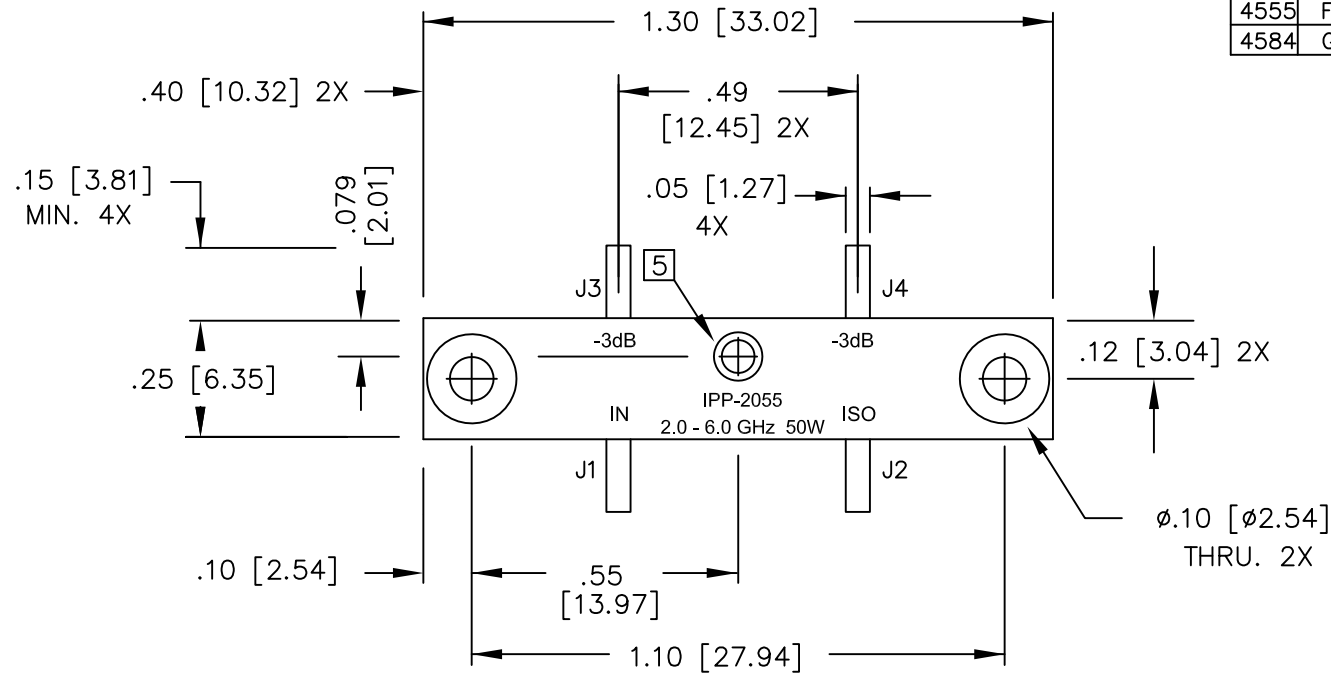


UNAUTHORIZED USE OF THIS DRAWING IS STRICTLY PROHIBITED

DAR	REV	DESCRIPTION	APPVD	DATE
1177	A	INITIAL RELEASE	TJD	8-06
1190	B	CHANGE LEAD LOCATION	TJD	9-06
1209	C	REVISE SPECIFICATIONS	TJD	10-06
1264	D	DIMENSION SMALL EYELET	TJD	3-07
1280	E	CHANGE POWER FROM 150 W TO 50 W	TJD	4-07
4555	F	SEE DAR	DG	9-13
4584	G	SEE DAR	DG	10-13



PORT CONFIGURATION				
INPUT	J1	J2	J3	J4
J1	---	ISOLATION	-3dB<0 DEG	-3dB<-90 DEG
J2	ISOLATION	---	-3dB<-90 DEG	-3dB<0 DEG
J3	-3dB<0 DEG	-3dB<-90 DEG	---	ISOLATION
J4	-3dB<-90 DEG	-3dB<0 DEG	ISOLATION	---

- NOTES:**
- LEAD MATERIAL: 99.99% PURE SILVER .005 [.127] THICK.
 - SEE 90° APPLICATION NOTE FOR FURTHER INFORMATION.
 - RoHS COMPLIANT.
 - DATA AND SPECIFICATIONS APPLY WHEN PART IS MOUNTED IN IPP TEST FIXTURE TF-1006. TEST FIXTURE CONFIGURATION/FOOTPRINT AVAILABLE ON REQUEST.
- [5] .03 [.76] MAX. EYELET PROJ.
.13 [3.30] MAX. EYELET DIA.
(TYP. EACH SIDE)

ELECTRICAL SPECIFICATIONS

FREQUENCY:	2.0 – 6.0 GHz.
INSERTION LOSS:	< 0.45 dB
VSWR:	< 1.30:1
ISOLATION:	> 19 dB
AMPLITUDE BALANCE:	±1.0 dB
PHASE BALANCE:	±5°
POWER:	50 WATT
TEMPERATURE:	-55°C TO 85°C

MATERIAL AL. ALLOY, 6061-T6	DWN	DG	DATE	8-06	Innovative Power Products	
	ENG	TJD	DATE	8-06		
FINISH CHEM FILM CLEAR PER MIL-DTL-5541, TYPE 2, REV F, CLASS 3 ROHS COMPLIANT	MANUF	TP	DATE	8-06	TITLE OUTLINE, COUP., 90°, 2.0 - 6.0 GHz, 50W	
	CAGE CODE: 437R2					
TOLERANCE IN [MM]	.xx ±.02 [.50] .xxx ±.005 [.127] ANG. ±1/2°	SHEET OF 1 1	SCALE 4:1	SIZE B	P/N IPP-2055	REV. G