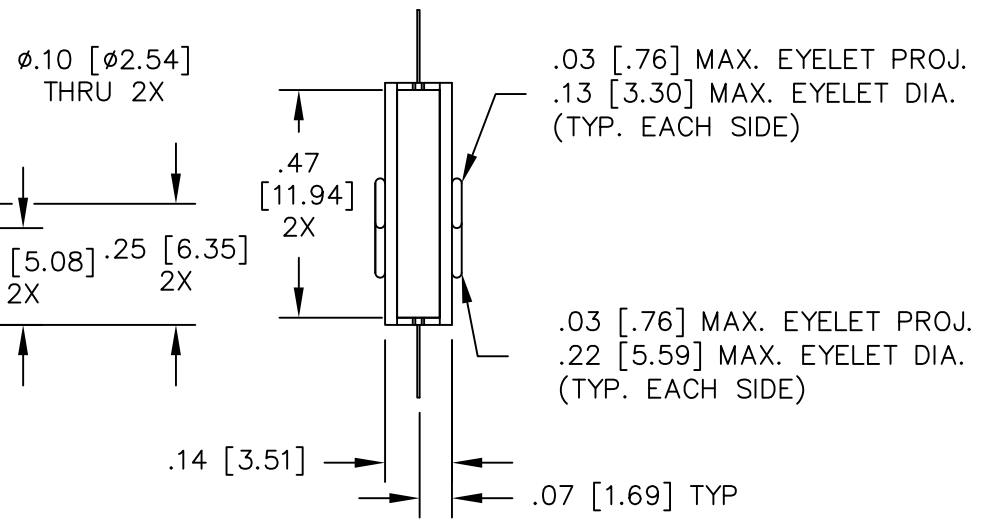
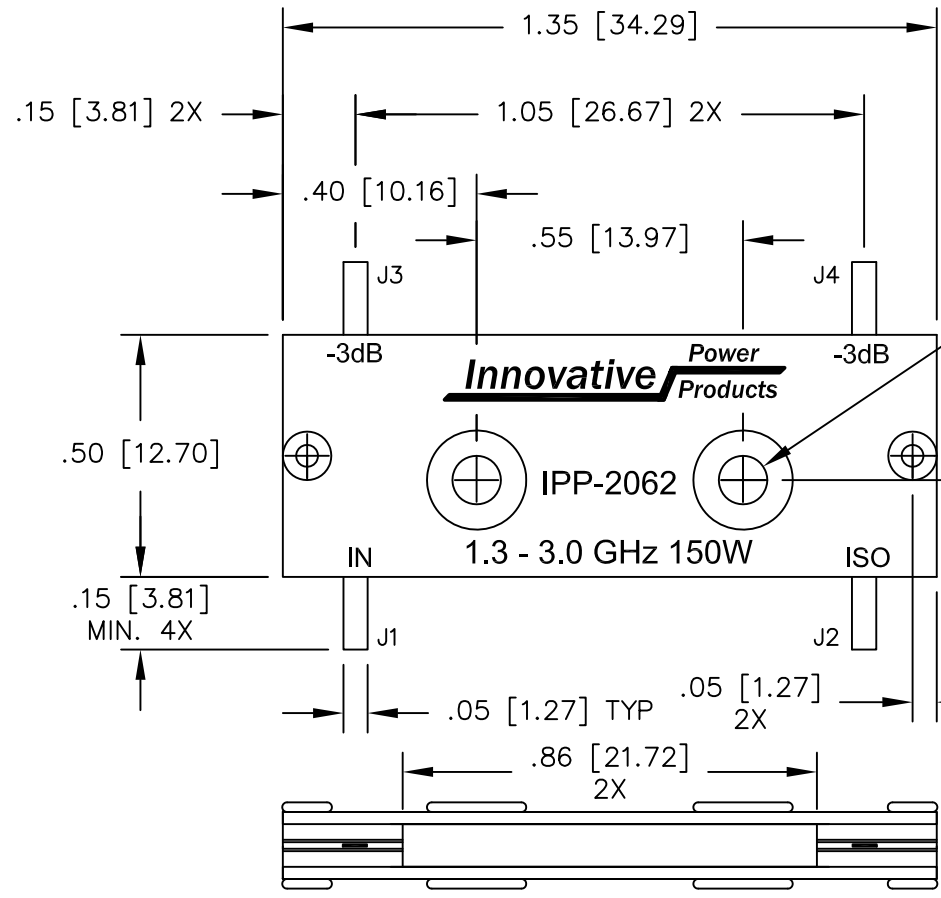


UNAUTHORIZED USE OF THIS  
DRAWING IS STRICTLY PROHIBITED

DAR	REV	DESCRIPTION	APPVD	DATE
1205	A	INITIAL RELEASE	TJD	10-06
1249	B	REVISE SPECIFICATIONS	TJD	12-06
1260	C	CHANGE POWER RATING TO 150 WATTS	TJD	1-07
1453	D	REVISED SPECIFICATIONS	DG	5-08
1584	E	ADDED .40 WIDE TAPE WRAPS	DG	10-08
1741	F	ADDED .07 & .14 DIMS	DG	2-09
3744	G	SEE DAR	DG	6-12
4557	H	SEE DAR	DG	9-13



**ELECTRICAL SPECIFICATIONS**

- NOTES:**
- LEAD MATERIAL: 99.99% PURE SILVER .005 [.127] THICK.
  - SEE 90° APPLICATION NOTE FOR FURTHER INFORMATION.
  - RoHS COMPLIANT.
  - DATA AND SPECIFICATIONS APPLY WHEN PART IS MOUNTED IN IPP TEST FIXTURE TF-1000. TEST FIXTURE CONFIGURATION/FOOTPRINT AVAILABLE ON REQUEST.
- FREQUENCY: 1.3 - 3.0 GHz.  
 INSERTION LOSS: < 0.25 dB  
 VSWR: < 1.25:1  
 ISOLATION: > 18 dB  
 AMPLITUDE BALANCE: ±.6 dB  
 PHASE BALANCE: ±5°  
 POWER: 150 WATT  
 TEMPERATURE: -55°C TO 85°C

PORT CONFIGURATION				
INPUT	J1	J2	J3	J4
J1	---	ISOLATION	-3dB<0 DEG	-3dB<-90 DEG
J2	ISOLATION	---	-3dB<-90 DEG	-3dB<0 DEG
J3	-3dB<0 DEG	-3dB<-90 DEG	---	ISOLATION
J4	-3dB<-90 DEG	-3dB<0 DEG	ISOLATION	---

MATERIAL	DWN	DG	DATE	10-06	<b>Innovative Power Products</b>		
AL. ALLOY, 6061-T6	ENG	TJD	DATE	10-06			
FINISH	MANUF	TP	DATE	10-06	TITLE		
CHEM FILM, CLEAR, PER MIL-DTL-5541, TYPE 2, REV. F, CLASS 3 (ROHS COMPLIANT)	CAGE CODE: 437R2			OUTLINE, COUP., 90°, 1.3 - 3.0 GHz. 150W			
TOLERANCE	SHEET	OF	SCALE	4:1	SIZE	P/N	REV.
IN [MM]	1	1			B	IPP-2062	H
.xx ±.02 [.50]							
.xxx ±.005 [.127]							
ANG. ±1/2°							