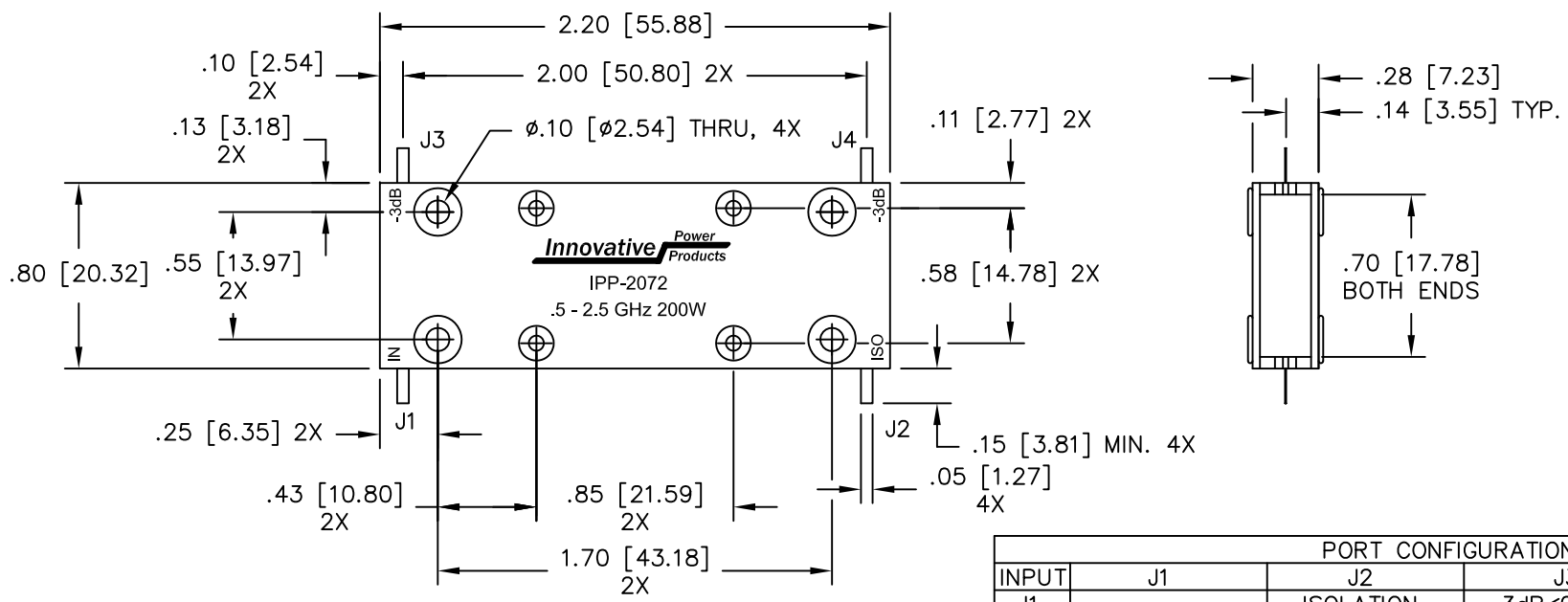
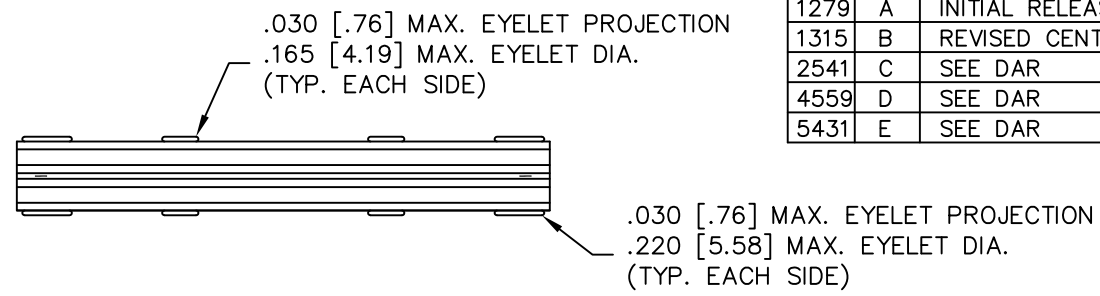


UNAUTHORIZED USE OF THIS
DRAWING IS STRICTLY PROHIBITED

DAR	REV	DESCRIPTION	APPVD	DATE
1279	A	INITIAL RELEASE	TJD	4-07
1315	B	REVISED CENTER EYELETS	TJD	8-07
2541	C	SEE DAR	DG	6-10
4559	D	SEE DAR	DG	9-13
5431	E	SEE DAR	DG	3-15



ELECTRICAL SPECIFICATIONS

FREQUENCY:	0.5 - 2.5 GHz.
INSERTION LOSS:	< 0.50 dB
VSWR:	< 1.32:1
ISOLATION:	> 17 dB
AMPLITUDE BALANCE:	±0.70 dB
PHASE BALANCE:	±6°
POWER:	200 WATT
TEMPERATURE:	-55°C TO 85°C

PORT CONFIGURATION				
INPUT	J1	J2	J3	J4
J1	---	ISOLATION	-3dB<0 DEG	-3dB<-90 DEG
J2	ISOLATION	---	-3dB<-90 DEG	-3dB<0 DEG
J3	-3dB<0 DEG	-3dB<-90 DEG	---	ISOLATION
J4	-3dB<-90 DEG	-3dB<0 DEG	ISOLATION	---

- NOTES:**
- LEAD MATERIAL: 99.99% PURE SILVER .005 [.127] THICK.
 - SEE 90° APPLICATION NOTE FOR FURTHER INFORMATION.
 - RoHS COMPLIANT.
 - DATA AND SPECIFICATIONS APPLY WHEN PART IS MOUNTED IN IPP TEST FIXTURE TF-1029. TEST FIXTURE CONFIGURATION/FOOTPRINT AVAILABLE ON REQUEST.

MATERIAL AL. ALLOY, 6061-T6	DWN	DG	DATE	4-07	Innovative Power Products
	ENG	TJD	DATE	4-07	
FINISH CHEM FILM CLEAR PER MIL-DTL-5541, TYPE 2, REV F, CLASS 3 ROHS COMPLIANT	MANUF	TP	DATE	4-07	TITLE OUTLINE, COUP., 90°, .5 - 2.5 GHz. 200W
	CAGE CODE: 437R2				
TOLERANCE .XX ±.02 [.50] .XXX ±.005 [.127] ANG. ±1/2°	SHEET	OF	SCALE		P/N IPP-2072
	1	1	2:1		
					REV. E