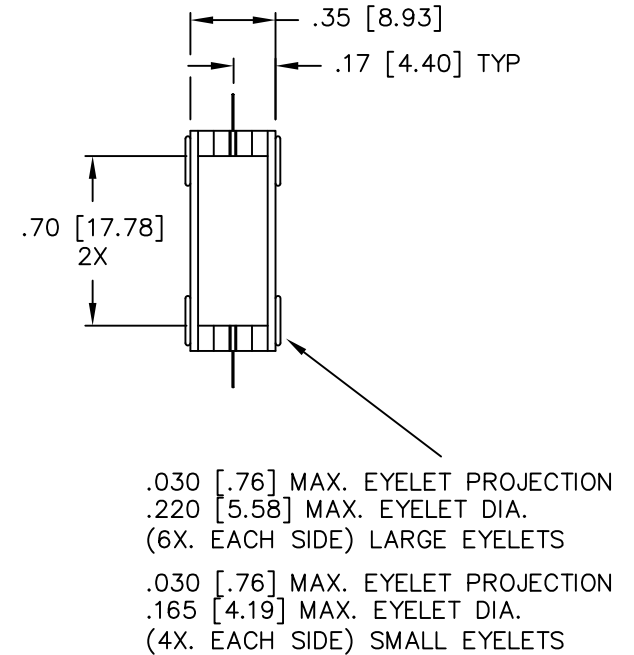
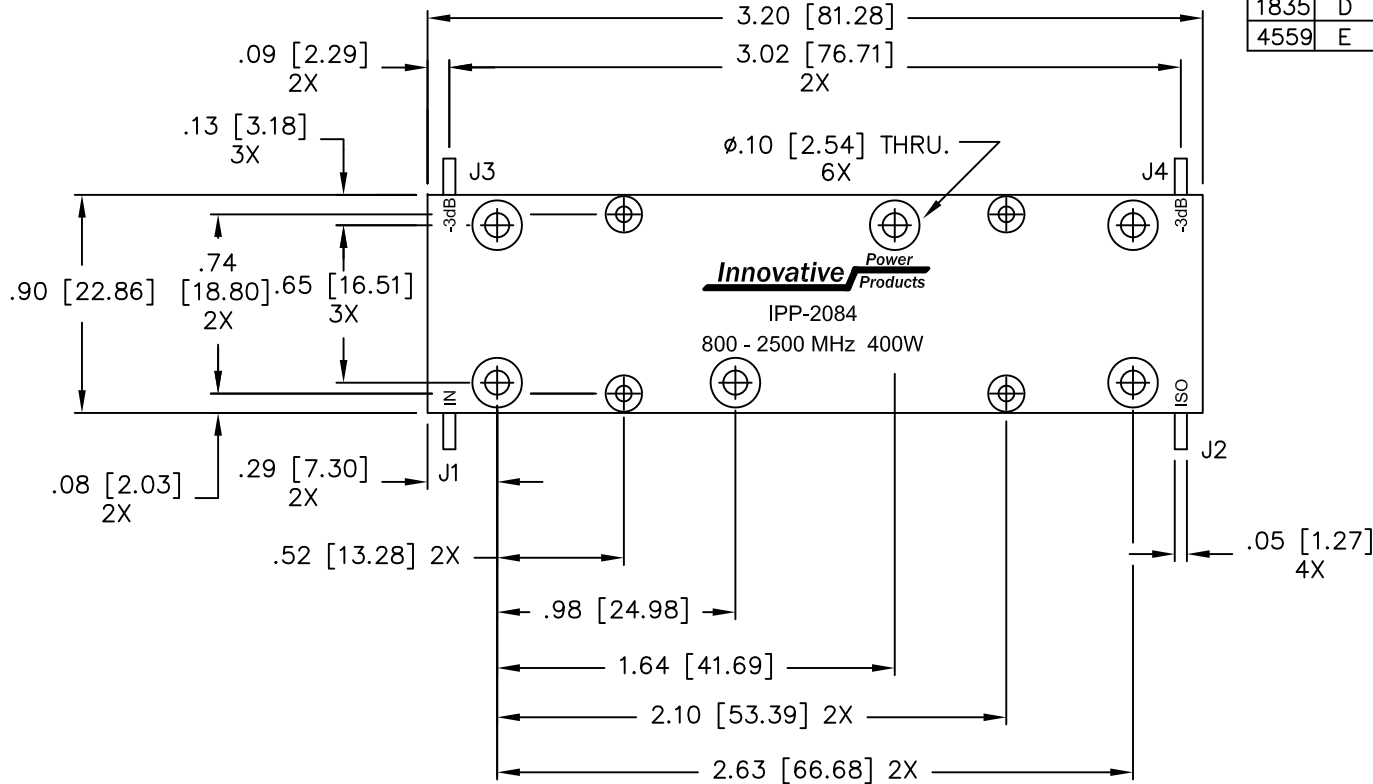


UNAUTHORIZED USE OF THIS
DRAWING IS STRICTLY PROHIBITED

DAR	REV	DESCRIPTION	APPVD	DATE
1332	A	RELEASE	TJD	9-07
1334	B	CHANGE DIMENSIONS	TP	10-07
1378	C	THICKNESS WAS .32, REMOVED GROUNDS	DG	12-07
1835	D	SEE DAR	DG	4-09
4559	E	SEE DAR	DG	9-13



ELECTRICAL SPECIFICATIONS

FREQUENCY:	800 - 2500 MHz.
INSERTION LOSS:	< 0.40 dB
VSWR:	< 1.30:1
ISOLATION:	> 17 dB
AMPLITUDE BALANCE:	±0.5 dB
PHASE BALANCE:	±5°
POWER:	400 WATT
TEMPERATURE:	-55°C TO 85°C

PORT CONFIGURATION				
INPUT	J1	J2	J3	J4
J1	---	ISOLATION	-3dB<0 DEG	-3dB<-90 DEG
J2	ISOLATION	---	-3dB<-90 DEG	-3dB<0 DEG
J3	-3dB<0 DEG	-3dB<-90 DEG	---	ISOLATION
J4	-3dB<-90 DEG	-3dB<0 DEG	ISOLATION	---

NOTES:

- LEAD MATERIAL: 99.99% PURE SILVER .005 [.127] THICK.
- SEE 90° APPLICATION NOTE FOR FURTHER INFORMATION.
- RoHS COMPLIANT.
- DATA AND SPECIFICATIONS APPLY WHEN PART IS MOUNTED IN IPP TEST FIXTURE TF-1039. TEST FIXTURE CONFIGURATION/FOOTPRINT AVAILABLE ON REQUEST.

MATERIAL AL. ALLOY, 6061-T6	DWN	DG	DATE	9-07	Innovative Power Products	
	ENG	TJD	DATE	9-07		
FINISH CHEM FILM CLEAR PER MIL-DTL-5541, TYPE 2, REV F, CLASS 3 ROHS COMPLIANT	MANUF	TP	DATE	9-07		TITLE OUTLINE, COUP., 90°, 800 - 2500 MHz. 400W
	CAGE CODE: 437R2					SIZE B
TOLERANCE .XX ±.02 [.50] .XXX ±.010 [.254] ANG. ±1/2°	SHEET 1	OF 1	SCALE 2:1	REV. E		