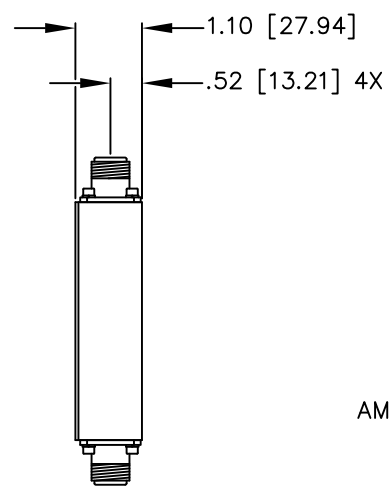
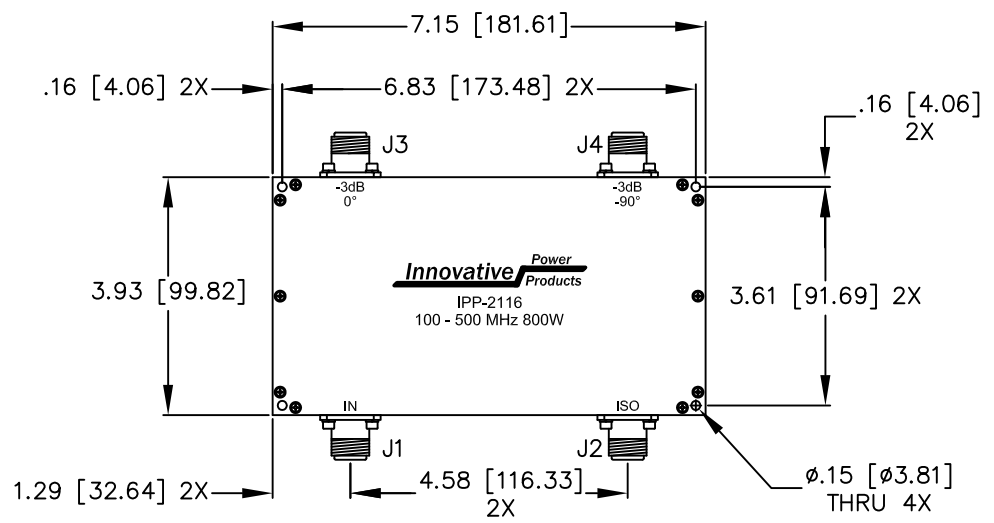


UNAUTHORIZED USE OF THIS
DRAWING IS STRICTLY PROHIBITED

DAR	REV	DESCRIPTION	APPVD	DATE
2580	A	INITIAL RELEASE	DG	7-10
3454	B	SEE DAR	TJD	1-12
4661	C	SEE DAR	DG	10-13



NOTES

- CONNECTORS: J1 - J4:
TYPE "N" FEMALE
- SEE 90° APPLICATION
NOTE FOR FURTHER
INFORMATION.
- RoHS COMPLIANT.

ELECTRICAL SPECIFICATIONS

FREQUENCY:	100 - 500 MHz.
INSERTION LOSS:	< 0.50 dB
VSWR:	< 1.30:1
ISOLATION:	> 16 dB
AMPLITUDE BALANCE:	±0.8 dB
PHASE BALANCE:	±5°
POWER:	800 WATT
TEMPERATURE:	-55°C TO 85°C

PORT CONFIGURATION				
INPUT	J1	J2	J3	J4
J1	---	ISOLATION	-3dB<0 DEG	-3dB<-90 DEG
J2	ISOLATION	---	-3dB<-90 DEG	-3dB<0 DEG
J3	-3dB<0 DEG	-3dB<-90 DEG	---	ISOLATION
J4	-3dB<-90 DEG	-3dB<0 DEG	ISOLATION	---

MATERIAL AL. ALLOY, 6061-T651	DWN S.Cornell	DATE 4-28-10			
	ENG DG	DATE 6-10			
FINISH CHEM FILM CLEAR PER MIL-DTL-5541, TYPE 2, REV F, CLASS 3 ROHS COMPLIANT	MANUF	DATE	TITLE OUTLINE, COUP., 90°, 100 - 500 MHz. 800W		
	CAGE CODE: 437R2				
TOLERANCE .XX ±.02 [.50] IN [MM] .XXX ±.005 [.127] ANG. ±1/2°	SHEET 1 OF 1	SCALE .5:1	SIZE B	P/N IPP-2116	REV. C