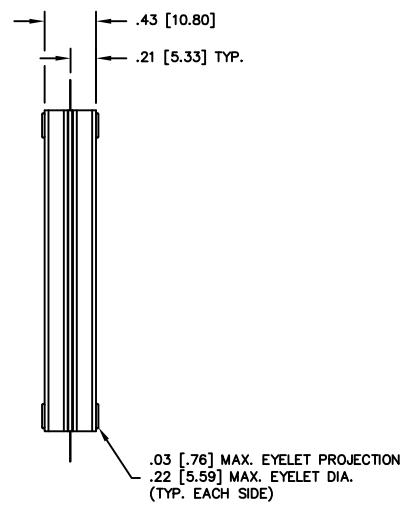
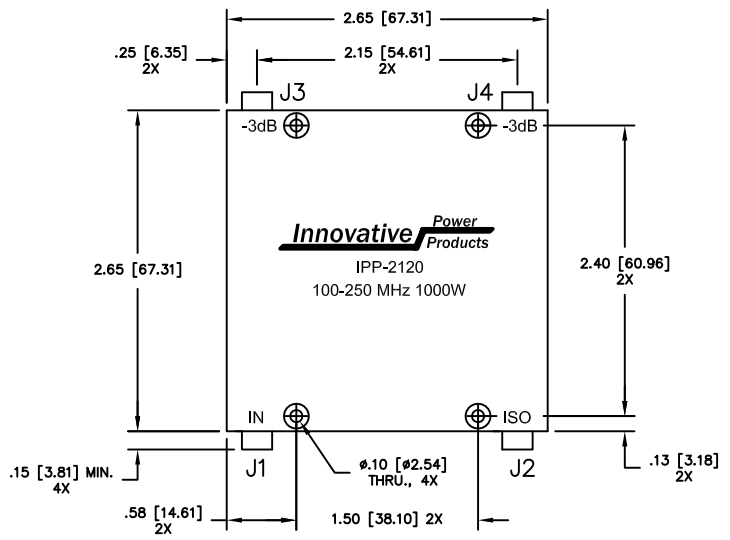


UNAUTHORIZED USE OF THIS  
DRAWING IS STRICTLY PROHIBITED

DAR	REV	DESCRIPTION	APPVD	DATE
1536	A	INITIAL RELEASE	DG	9-08
4570	B	SEE DAR	DG	10-13



**ELECTRICAL SPECIFICATIONS**

FREQUENCY:	100-250 MHz.
INSERTION LOSS:	< 0.20 dB
VSWR:	< 1.25:1
ISOLATION:	> 18 dB
AMPLITUDE BALANCE:	±0.85 dB
PHASE BALANCE:	±5°
POWER:	1000 WATT
TEMPERATURE:	-55°C TO 85°C

- NOTES:**
- LEAD MATERIAL: 99.99% PURE SILVER  
.250 [6.35] WIDE X .005 [.127] THICK.
  - SEE 90° APPLICATION NOTE FOR FURTHER INFORMATION.
  - RoHS COMPLIANT.
  - DATA AND SPECIFICATIONS APPLY WHEN PART IS MOUNTED IN IPP TEST FIXTURE TF-1052. TEST FIXTURE CONFIGURATION/FOOTPRINT AVAILABLE ON REQUEST.

PORT CONFIGURATION				
INPUT	J1	J2	J3	J4
J1	---	ISOLATION	-3dB<0 DEG	-3dB<-90 DEG
J2	ISOLATION	---	-3dB<-90 DEG	-3dB<0 DEG
J3	-3dB<0 DEG	-3dB<-90 DEG	---	ISOLATION
J4	-3dB<-90 DEG	-3dB<0 DEG	ISOLATION	---

MATERIAL AL. ALLOY, 6061-T6	DWN DG	DATE 7-08			
	ENG TJD	DATE 7-08			
FINISH CHEM FILM CLEAR PER MIL-DTL-5541, TYPE 2, REV F, CLASS 3 ROHS COMPLIANT	MANUF TP	DATE 7-08	TITLE OUTLINE, COUP., 90°, 100 - 250 MHz. 1000W		
	CAGE CODE: 437R2		SIZE B	P/N IPP-2120	REV. B
TOLERANCE IN [MM]	.xx ±.02 [.50] .xxx ±.005 [.127] ANG. ±1/2°	SHEET OF 1 1	SCALE 1:1		