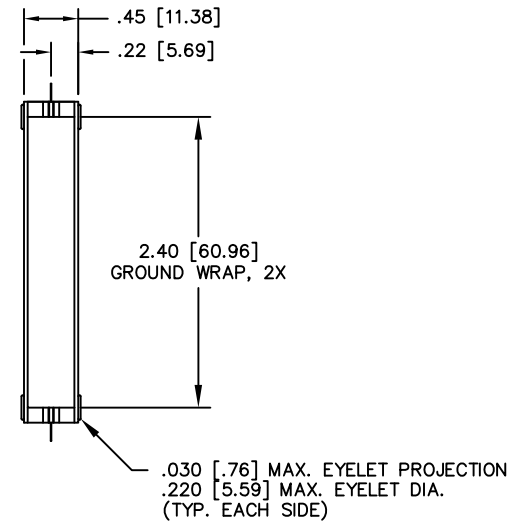
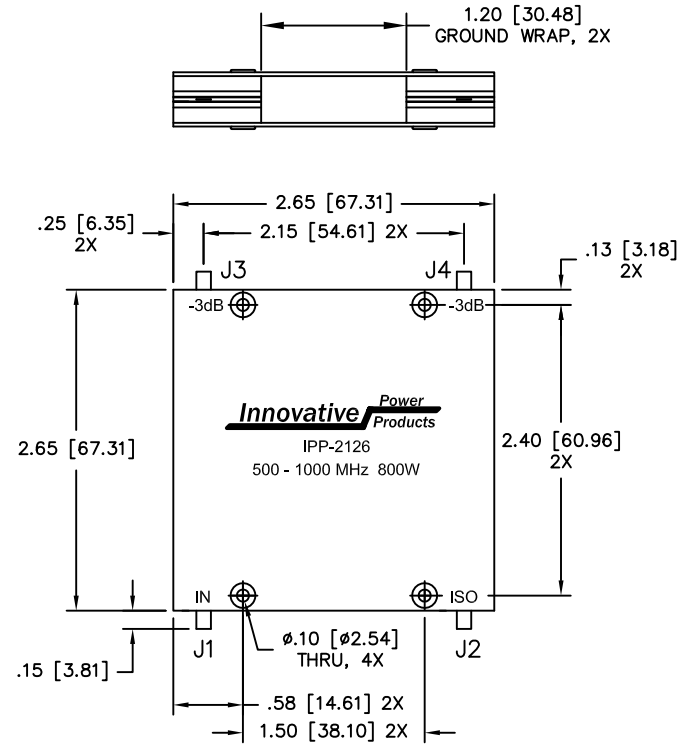


UNAUTHORIZED USE OF THIS
DRAWING IS STRICTLY PROHIBITED

DAR	REV	DESCRIPTION	APPVD	DATE
1522	A	INITIAL RELEASE	DG	9-08
1547	B	.22 WAS .21, .45 WAS .42	DG	9-08
4570	C	SEE DAR	DG	10-13



- NOTES:
1. LEAD MATERIAL: 99.99% PURE SILVER
.120 [3.05] WIDE X .005 [.127] THICK.
 2. SEE 90° APPLICATION NOTE FOR FURTHER INFORMATION.
 3. RoHS COMPLIANT.
 4. DATA AND SPECIFICATIONS APPLY WHEN PART IS MOUNTED IN IPP TEST FIXTURE TF-1052. TEST FIXTURE CONFIGURATION/FOOTPRINT AVAILABLE ON REQUEST.

ELECTRICAL SPECIFICATIONS

FREQUENCY: 500 - 1000 MHz.
 INSERTION LOSS: < 0.20 dB
 VSWR: < 1.25:1
 ISOLATION: > 20 dB
 AMPLITUDE BALANCE: ±0.50 dB
 PHASE BALANCE: ±5°
 POWER: 800 WATT
 TEMPERATURE: -55°C TO 85°C

PORT CONFIGURATION				
INPUT	J1	J2	J3	J4
J1	---	ISOLATION	-3dB<0 DEG	-3dB<-90 DEG
J2	ISOLATION	---	-3dB<-90 DEG	-3dB<0 DEG
J3	-3dB<0 DEG	-3dB<-90 DEG	---	ISOLATION
J4	-3dB<-90 DEG	-3dB<0 DEG	ISOLATION	---

MATERIAL AL. ALLOY, 6061-T6	DWN	DG	DATE	8-08	Innovative Power Products	
	ENG	TJD	DATE	8-08		
FINISH CHEM FILM CLEAR PER MIL-DTL-5541, TYPE 2, REV F, CLASS 3 ROHS COMPLIANT	MANUF	TP	DATE	8-08	TITLE OUTLINE, COUP., 90°, 500 - 1000 MHz. 800W	
	CAGE CODE: 437R2					
TOLERANCE IN [MM]	.xx ±.02 [.50]	SHEET OF 1 1	SCALE 1:1	SIZE	P/N IPP-2126	REV. C
	.xxx ±.005 [.127] ANG. ±1/2°					