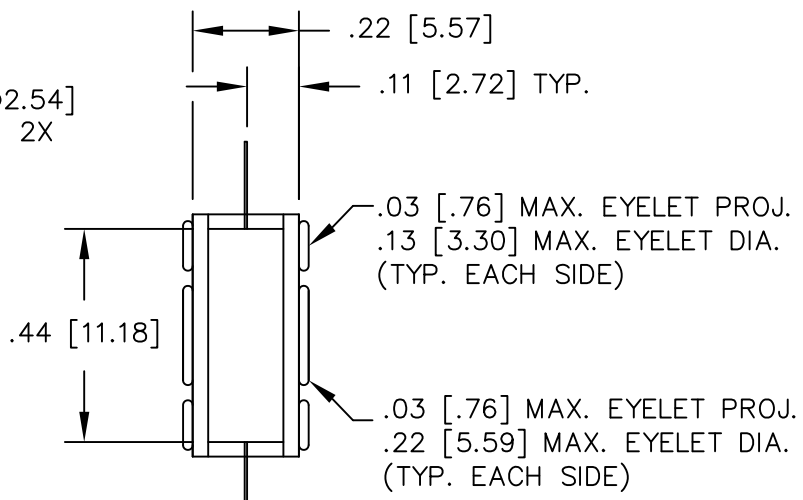
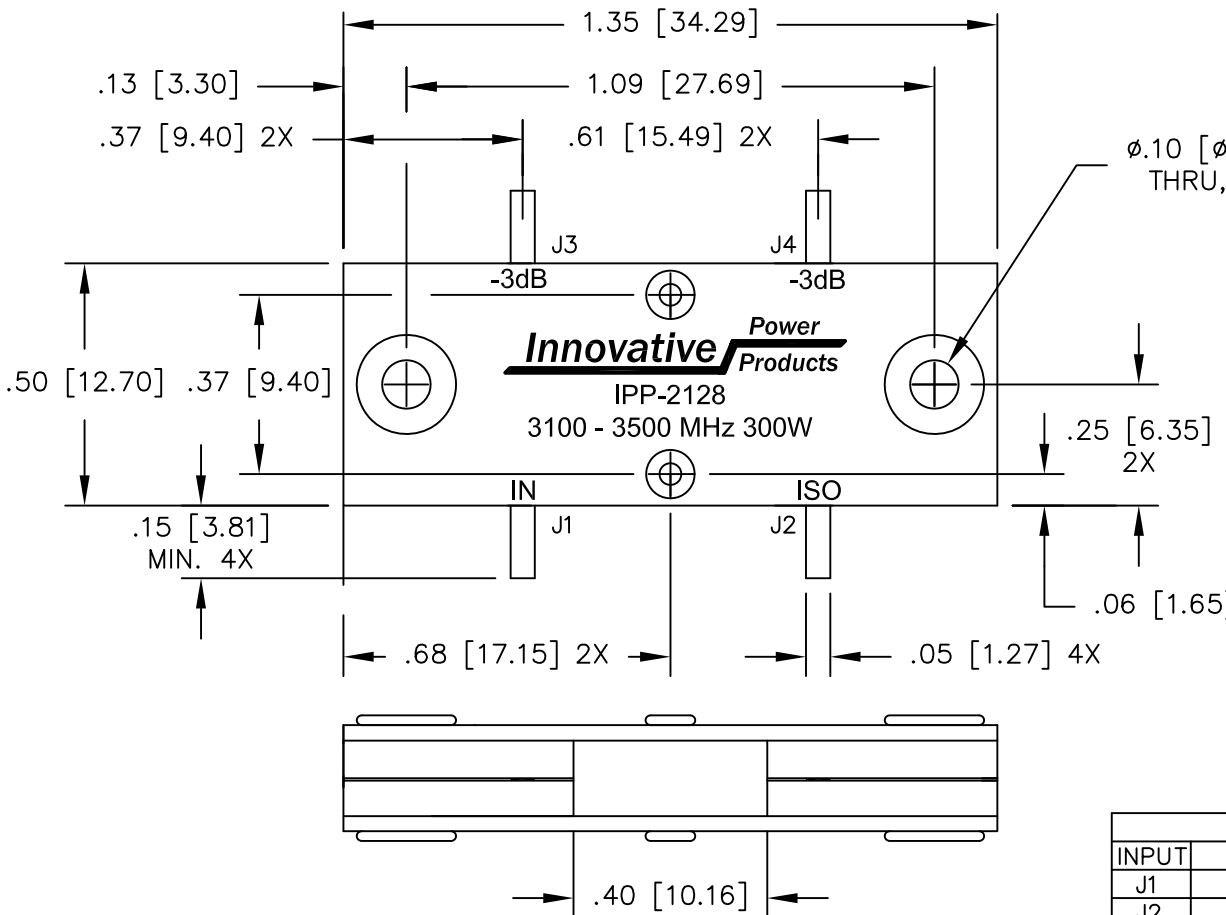


UNAUTHORIZED USE OF THIS  
DRAWING IS STRICTLY PROHIBITED

DAR	REV	DESCRIPTION	APPVD	DATE
1554	A	INITIAL RELEASE	TJD	9-08
2074	B	SEE DAR	DG	10-09
3169	C	SEE DAR	TJD	6-11
4570	D	SEE DAR	DG	10-13



PORT CONFIGURATION				
INPUT	J1	J2	J3	J4
J1	---	ISOLATION	-3dB<0 DEG	-3dB<-90 DEG
J2	ISOLATION	---	-3dB<-90 DEG	-3dB<0 DEG
J3	-3dB<0 DEG	-3dB<-90 DEG	---	ISOLATION
J4	-3dB<-90 DEG	-3dB<0 DEG	ISOLATION	---

- NOTES:**
- LEAD MATERIAL: 99.99% PURE SILVER .005 [.127] THICK.
  - SEE 90° APPLICATION NOTE FOR FURTHER INFORMATION.
  - RoHS COMPLIANT.
  - DATA AND SPECIFICATIONS APPLY WHEN PART IS MOUNTED IN IPP TEST FIXTURE TF-1063. TEST FIXTURE CONFIGURATION/FOOTPRINT AVAILABLE ON REQUEST.

**ELECTRICAL SPECIFICATIONS**

FREQUENCY:	3.1 - 3.5 GHz.
INSERTION LOSS:	< 0.2 dB
VSWR:	< 1.25:1
ISOLATION:	> 20 dB
AMPLITUDE BALANCE:	±0.25 dB
PHASE BALANCE:	±5°
POWER:	300 WATT
TEMPERATURE:	-55°C TO 85°C

MATERIAL	AL. ALLOY	DWN S.Cornell	DATE 9-24-08	<b>Innovative Power Products</b>	
FINISH	CHEM FILM CLEAR PER MIL-DTL-5541, TYPE 2, REV F, CLASS 3, ROHS COMPLIANT	ENG TJD	DATE 9-24-08		
TOLERANCE	.XX ±.02 [.50] .XXX ±.010 [.254] ANG. ±1/2°	MANUF TP	DATE 9-24-08	TITLE OUTLINE, COUP., 90°, 3.1 - 3.5 GHz. 300W	
IN [MM]		CAGE CODE: 437R2		SIZE	P/N
		SHEET	OF	SCALE	IPP-2128
		1	1	4:1	REV. D