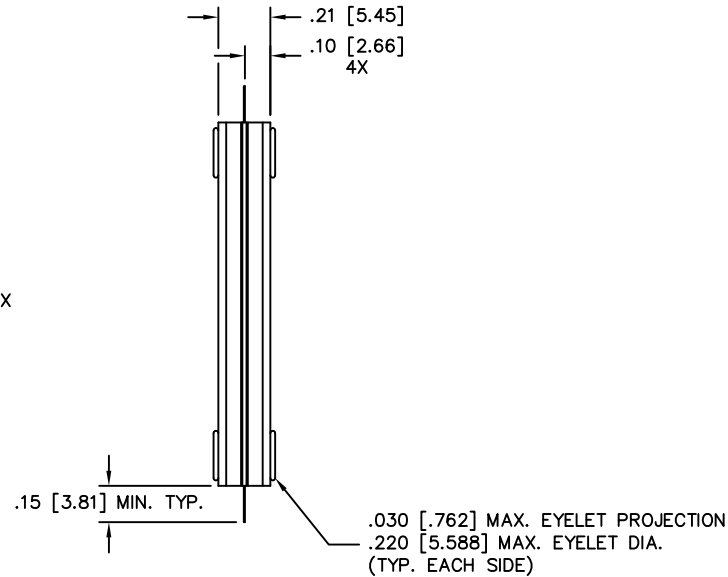
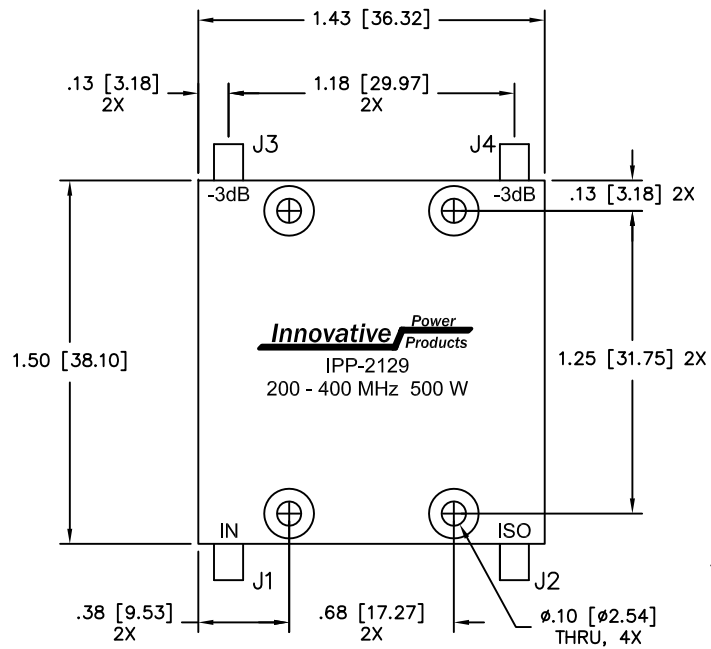


UNAUTHORIZED USE OF THIS
DRAWING IS STRICTLY PROHIBITED

DAR	REV	DESCRIPTION	APPVD	DATE
1578	A	INITIAL RELEASE	DG	10-08
4777	B	SEE DAR	DG	2-14



NOTES:

- LEAD MATERIAL: 99.99% PURE SILVER
.120 [3.048] WIDE X .005 [.127] THICK.
- SEE 90° APPLICATION NOTE FOR FURTHER INFORMATION.
- RoHS COMPLIANT.
- DATA AND SPECIFICATIONS APPLY WHEN PART IS MOUNTED IN IPP TEST FIXTURE TF-1069. TEST FIXTURE CONFIGURATION/FOOTPRINT AVAILABLE ON REQUEST.

ELECTRICAL SPECIFICATIONS

FREQUENCY: 200 - 400 MHz.
 INSERTION LOSS: < 0.25 dB
 VSWR: < 1.25:1
 ISOLATION: > 20 dB
 AMPLITUDE BALANCE: ±0.50 dB
 PHASE BALANCE: ±5°
 POWER: 500 WATT
 TEMPERATURE: -55°C TO 85°C

PORT CONFIGURATION				
INPUT	J1	J2	J3	J4
J1	---	ISOLATION	-3dB<0 DEG	-3dB<-90 DEG
J2	ISOLATION	---	-3dB<-90 DEG	-3dB<0 DEG
J3	-3dB<0 DEG	-3dB<-90 DEG	---	ISOLATION
J4	-3dB<-90 DEG	-3dB<0 DEG	ISOLATION	---

MATERIAL AL. ALLOY, 6061-T6	DWN	DG	DATE	10-08	Innovative Power Products	
	ENG	TJD	DATE	10-08		
FINISH CHEM FILM CLEAR PER MIL-DTL-5541, TYPE 2, REV F, CLASS 3 ROHS COMPLIANT	MANUF	TP	DATE	10-08	TITLE OUTLINE, COUP., 90°, 200 - 400 MHz. 500W	
	CAGE CODE: 437R2					
TOLERANCE IN [MM]	.xx ±.02 [.50]	SHEET OF 1 1	SCALE 2:1	SIZE	P/N IPP-2129	REV. B
	.xxx ±.005 [.127] ANG. ±1/2°					