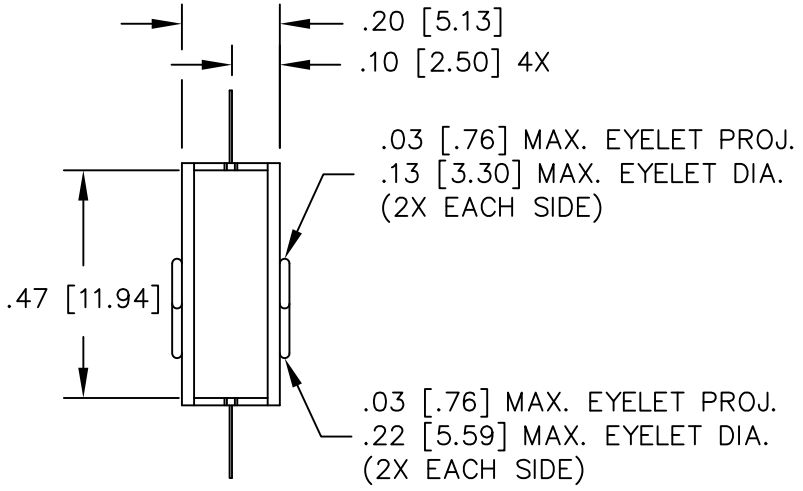
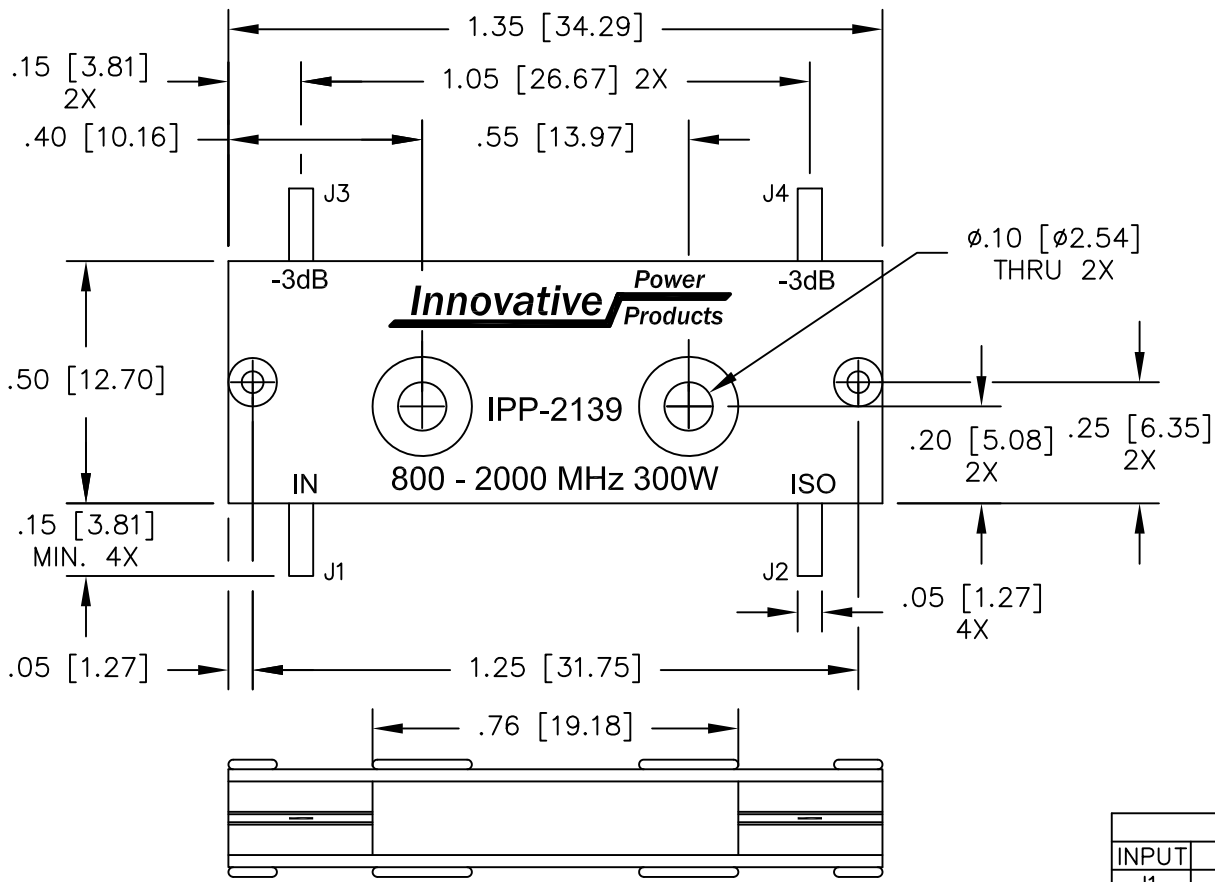


UNAUTHORIZED USE OF THIS  
DRAWING IS STRICTLY PROHIBITED

DAR	REV	DESCRIPTION	APPVD	DATE
1695	A	INITIAL RELEASE	DG	1-09
3505	B	SEE DAR	DG	2-12
3761	C	SEE DAR	DG	7-12
4659	D	SEE DAR	DG	10-13
5324	E	SEE DAR	DG	1-15



**ELECTRICAL SPECIFICATIONS**

- NOTES:**
- LEAD MATERIAL: 99.99% PURE SILVER .005 [.127] THICK.
  - SEE 90° APPLICATION NOTE FOR FURTHER INFORMATION.
  - RoHS COMPLIANT.
  - DATA AND SPECIFICATIONS APPLY WHEN PART IS MOUNTED IN IPP TEST FIXTURE TF-1051. TEST FIXTURE CONFIGURATION/FOOTPRINT AVAILABLE ON REQUEST.
- FREQUENCY: 800 - 2000 MHz.  
 INSERTION LOSS: < 0.25 dB  
 VSWR: < 1.25:1  
 ISOLATION: > 19 dB  
 AMPLITUDE BALANCE: ±0.65 dB  
 PHASE BALANCE: ±5°  
 POWER: 300 WATT  
 TEMPERATURE: -55°C TO 85°C

PORT CONFIGURATION				
INPUT	J1	J2	J3	J4
J1	---	ISOLATION	-3dB<0 DEG	-3dB<-90 DEG
J2	ISOLATION	---	-3dB<-90 DEG	-3dB<0 DEG
J3	-3dB<0 DEG	-3dB<-90 DEG	---	ISOLATION
J4	-3dB<-90 DEG	-3dB<0 DEG	ISOLATION	---

MATERIAL	DWN DG	DATE 11-08	<b>Innovative Power Products</b>			
AL. ALLOY, 6061-T6	ENG TJD	DATE 11-08				
FINISH	MANUF TP	DATE 11-08	TITLE			
CHEM FILM, CLEAR, PER MIL-DTL-5541, TYPE 2, REV. F, CLASS 3 (ROHS COMPLIANT)			OUTLINE, COUP., 90°, 800 - 2000 MHz. 300W			
TOLERANCE	CAGE CODE: 437R2		SIZE	P/N	IPP-2139	REV. E
IN [MM]	SHEET OF	SCALE	B			
.xx ±.02 [.50]	1 1	4:1				
.xxx ±.005 [.127]						
ANG. ±1/2°						