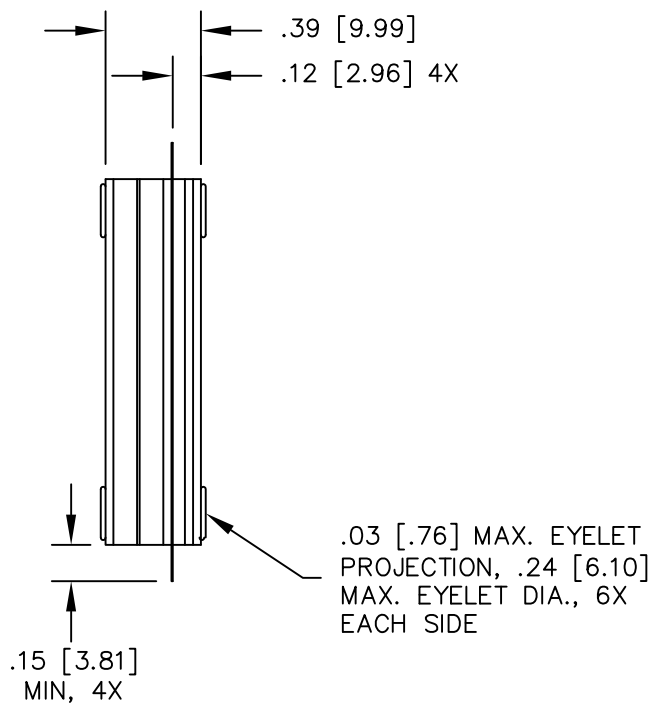
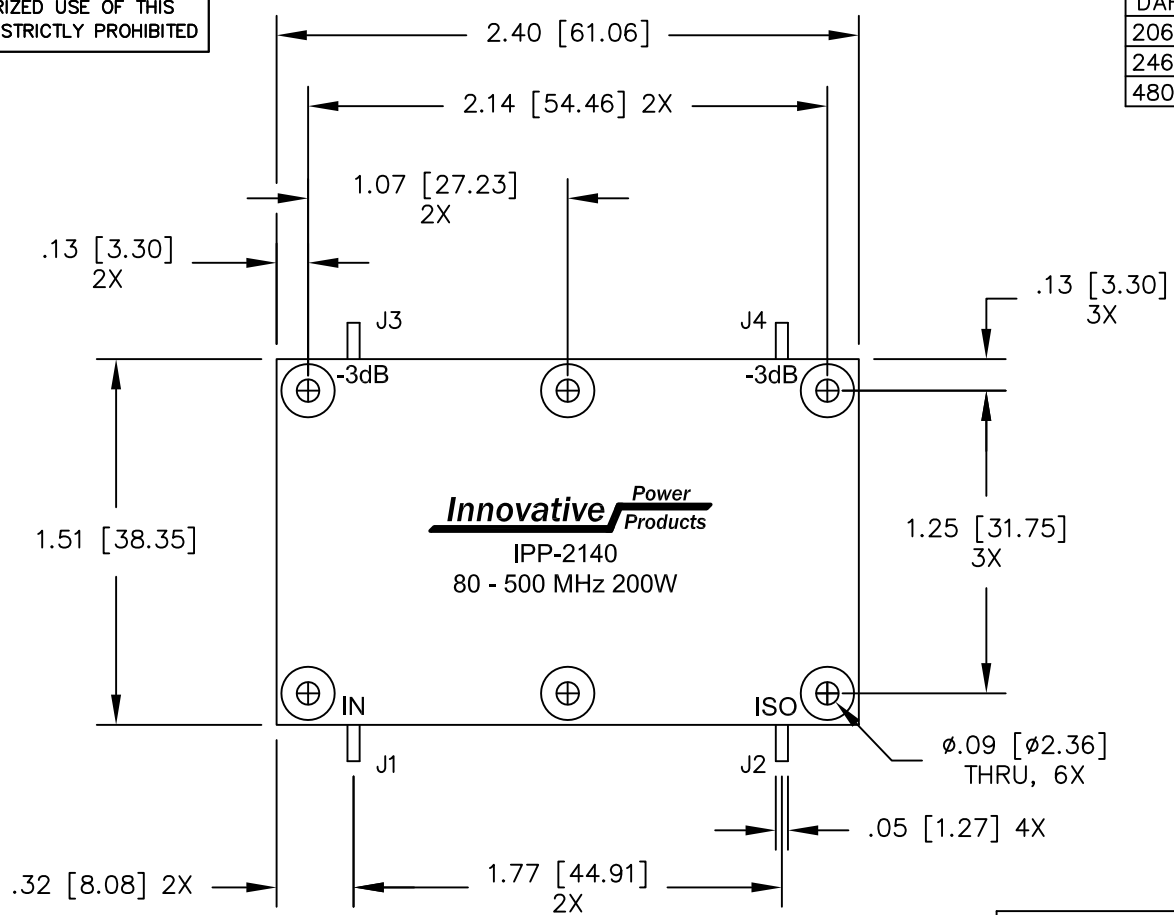


UNAUTHORIZED USE OF THIS
DRAWING IS STRICTLY PROHIBITED

DAR	REV	DESCRIPTION	APPVD	DATE
2062	A	INITIAL RELEASE	DG	10-09
2460	B	SEE DAR	DG	5-10
4804	C	SEE DAR	DG	2-14



Innovative Power Products
IPP-2140
80 - 500 MHz 200W

PORT CONFIGURATION				
INPUT	J1	J2	J3	J4
J1	---	ISOLATION	-3dB<0 DEG	-3dB<-90 DEG
J2	ISOLATION	---	-3dB<-90 DEG	-3dB<0 DEG
J3	-3dB<0 DEG	-3dB<-90 DEG	---	ISOLATION
J4	-3dB<-90 DEG	-3dB<0 DEG	ISOLATION	---

ELECTRICAL SPECIFICATIONS

FREQUENCY: 80 - 500 MHz.
 INSERTION LOSS: < 0.6 dB
 VSWR: < 1.30:1
 ISOLATION: > 16 dB
 AMPLITUDE BALANCE: ±0.75 dB
 PHASE BALANCE: ±6°
 POWER: 200 WATT
 TEMPERATURE: -55°C TO 85°C

- NOTES:**
- LEAD MATERIAL: 99.99% PURE SILVER .005 [.127] THICK.
 - SEE 90° APPLICATION NOTE FOR FURTHER INFORMATION.
 - RoHS COMPLIANT.
 - DATA AND SPECIFICATIONS APPLY WHEN PART IS MOUNTED IN IPP TEST FIXTURE TF-1108. TEST FIXTURE CONFIGURATION/FOOTPRINT AVAILABLE ON REQUEST.

MATERIAL AL. ALLOY, 6061-T6	DWN	DG	DATE	11-08	Innovative Power Products		
	ENG	TJD	DATE	11-08			
FINISH CHEM FILM, CLEAR, PER MIL-DTL-5541, TYPE 2, REV. F, CLASS 3 (ROHS COMPLIANT)	MANUF	TP	DATE	11-08	TITLE OUTLINE, COUP., 90°, 80 - 500 MHz. 200W		
	CAGE CODE: 437R2						
TOLERANCE	.XX ±.02 [.50]	SHEET OF 1 1	SCALE 2:1	SIZE	P/N	IPP-2140	REV. C
IN [MM]	.XXX ±.005 [.127] ANG. ±1/2°			B			